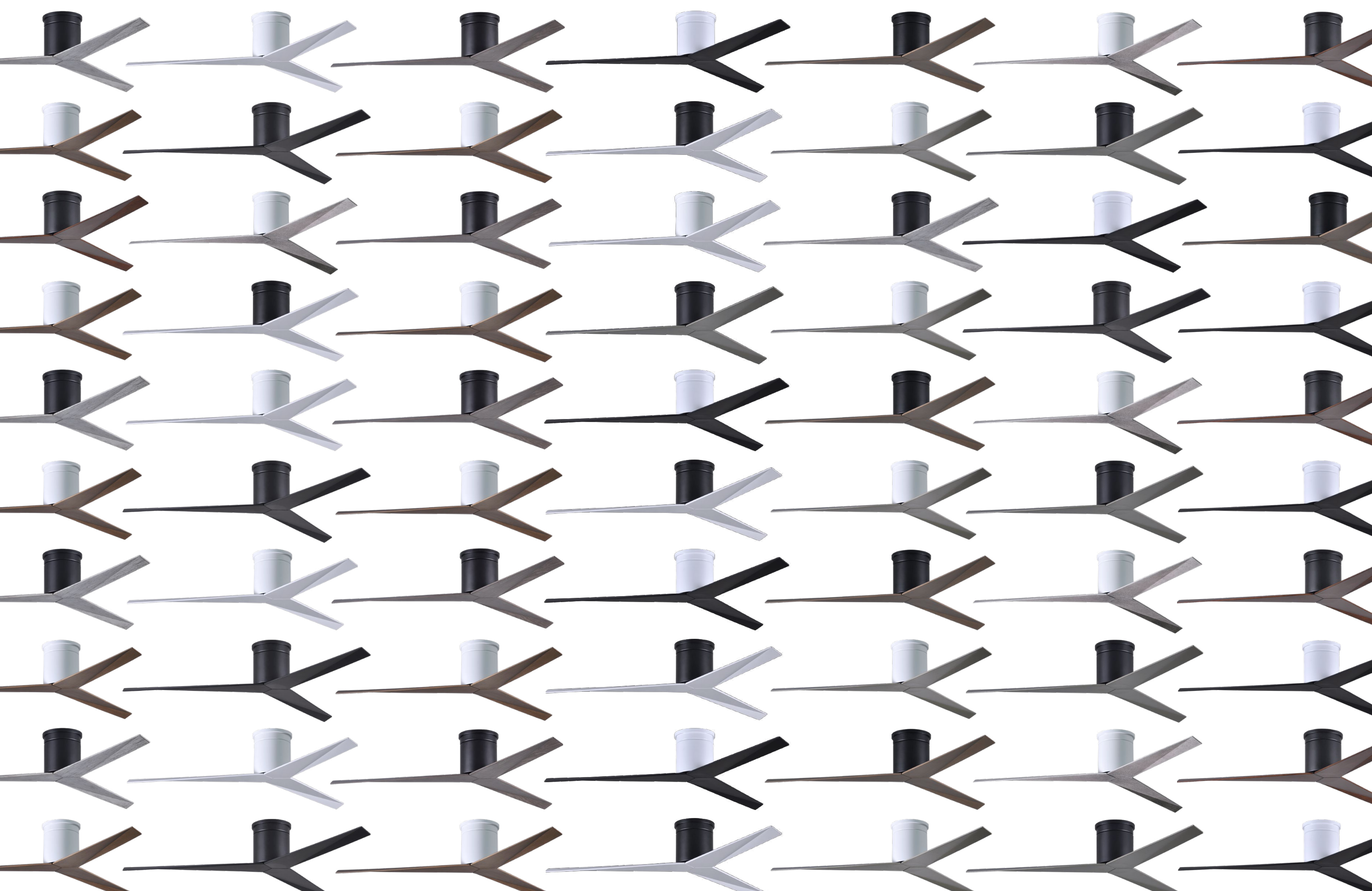


MATTHEWS

FAN COMPANY

A close-up photograph of a dandelion seed head against a clear, vibrant blue sky. The seed head is on the left, with several individual seeds floating away towards the right. The seeds are white and feathery, with long, thin filaments. The stems of the seeds are thin and brown. The overall composition is clean and minimalist, with a strong contrast between the white seeds and the blue background.

**PRODUCT CATALOG
SUMMER 2022**



MATTHEWS FAN COMPANY



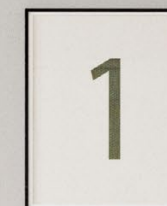
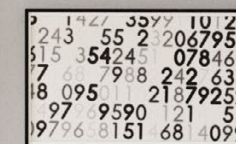
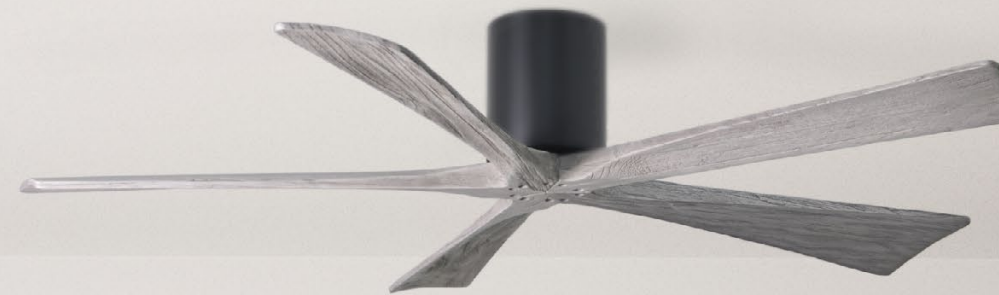
Matthews Fan Company has been at the forefront of bringing unique ceiling, wall and portable fan products to both the residential and commercial markets since 1992.

Our innovative fans combine traditional, contemporary and industrial designs, retrospective elements and always high performance.

Matthews proudly integrates American parts and labor into the production of all of our products.

Visit one of our retailer partners or contact us for more information regarding our quality products and customization.

Tel: 847-680-9043
Fax: 847-680-8140
www.MatthewsFanCo.com





GREEN



MATTERS

Matthews' fans achieve some of the highest efficiency ratings in the industry through:

- DC Motor technology allows for large, powerful blades which provide more robust airflow and ultra-quiet operation.
- Rotational fans reduce HVAC costs by mixing ambient air more thoroughly.
- Directional and Wall fans provide columnar airflow which can be customized.

Matthews does not field destroy

- 95% of damaged and defective materials are recycled or re-purposed.

Matthews achieves low defect rates because:

- All fans are visually inspected before shipping.
- All rotational and oscillating fans are bench tested before shipping.

MATTHEWS FAN COMPANY PRODUCTS

ATLAS



Acqua
pg. 8-9



America
pg. 10-11



Dagny
pg. 12-13



Dagny LK
pg. 14-15



Dana
pg. 16-17



Diane
pg. 18-19



Donaire
pg. 20-21



Eliza
pg. 22-23



Eliza-H
pg. 24-25



Irene-3
pg. 26-27



Irene-3H
pg. 28-29



Irene-3HLK
pg. 30-31



Irene-5
pg. 32-33



Irene-5H
pg. 34-35



Irene-5HLK
pg. 36-37



Kaye
pg. 38-39



Laura
pg. 40-41



Lindsay
pg. 42-43



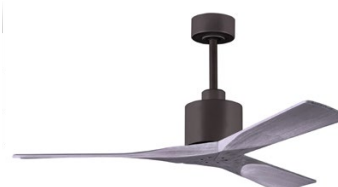
Melody
pg. 44-45



Molly
pg. 46-47



Mollywood
pg. 48-49



Nan
pg. 50-51



Nan XL
pg. 52-53



Patrícia-3
pg. 50-51



Patrícia-5
pg. 52-53



Super Janet
pg. 54-55



T-24
pg. 56-57

MATTHEWS-GERBAR



Ar Ruthiane
pg. 58-59



Bianca Direcional
pg. 60-61



Brisa 2000
pg. 62-63



Bruna Parede
pg. 64-65



Duplo-Dinamico
pg. 66-67



Italo Ventania
pg. 68-69



Jarold Direcional
pg. 70-71



Michelle Parede
pg. 72-73



Vent-Bettina
pg. 74-75



Acqua

Designed in 2008

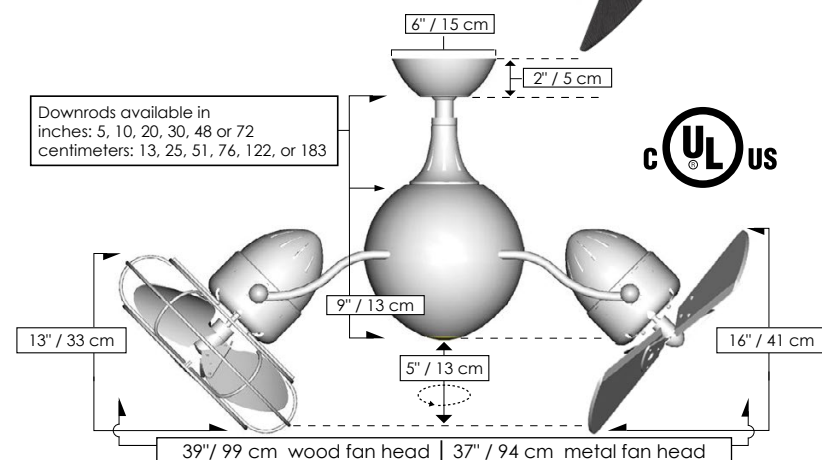


The Acqua 360° rotational fan is thoughtfully designed to resemble the molecular structure of water, Earth's most precious resource. The Acqua offers fluid lines and quiet axial rotation. Its fan heads can be infinitely positioned in 180-degree arcs for optimum air movement; the greater the angles of the motors to the horizontal support rods (up or down), the faster the axial rotation. A slow, controlled axial rotation is achieved by both fan head position and fan blade speed. Matthews rotational fans circulate heat and air-conditioning more efficiently than traditional paddle fans. Constructed of cast aluminum and heavy stamped steel, the Acqua carries a limited lifetime warranty.

Product Features

- American Labor
- AC Motor
- 360° Rotation
- Safety Cage Compatible
- Damp Location
- Soothing White Noise
- LED Lamp
- Remote Control
- Unipack Shipping

ACQUA		
FINISH AND BLADE OPTIONS		
SKU#	AQ-XX-XXXX (Model+Finish+Blade)	
NEW Standard Finishes	Matte Black Textured Bronze	BK TB
NEW Blade Styles and Material	Solid Wood / Barn Wood Solid Wood / Mahogany Solid Wood / Matte Black Metal w/ Decorative Cage Metal w/ Safety Cage	WDBW WD WDBK MTL MSAF
TECHNICAL SPECS		
Fan Weight	27 lbs	
Voltage	110 or 220	
Motor Type	AC	
Rotation	Yes	
Downrods Lengths <i>Field cuttable.</i>	inches: 5, 10, 20, 30, 48, 72 centimeters: 13, 25, 51, 76, 122, 183	
Downrod Diameter	1 inch	
Overall Drop	16 inches / 41 cm + downrod length	
Environment	Damp locations for all finishes Neither coastal, saltwater nor chlorine compatible	
Ambience	Soothing White Noise	
Safety Certification	UL / CUL	
Warranty	Limited Lifetime	
NEW JAN 21, 2020 DOE MOTOR EFFICIENCY DATA		
Fan Head Options	Solid Wood	Metal with Guard
Fan Diameter	39 inches / 99 cm	37 inches / 94 cm
Fan Blade Diameter	16 inches / 41 cm	13 inches / 33 cm
Guard Options	No Cage Option	Safety Cage or Decorative Cage
RPM (Low / High)	721 / 1199	1040 / 1445
CFM (Low / High)	2750 / 4058	1825 / 3167
Watts (High)	101.25	80.50
CFM/Watt (High)	40.80	39.34
Blade Pitch	19°	31°
LIGHT KIT PHOTOMETRICS		
Lamping (Replaceable)	GU10 LED	
Remote Dimmable	No	
Delivered Temperature in K	2969	
Delivered Lumens	337.30	
CRI	94	
Watts	5	
Hours	36,000	
Light kit longevity if used 6 Hours/Day: 16.5 Years		
STANDARD EQUIPMENT		
One downrod of 10 inches / 25 cm		
Vaulted ceiling canopy for up to 29°		
Black 3-speed RF remote control with reverse	ACCESSORY	
	Decora-style, 3-speed, non-dimmable wall control	





shown in Gloss White with 52" blades



America



The America fan is a practical solution for both residential or commercial spaces with a more traditional aesthetic. It is available with either 42 or 52 inch diameters, along with an optional light kit. The blades are reversible as either white or light oak tone finish. The America carries a limited lifetime warranty.

Product Features



USA

Applicability to Buy American Act:
Domestic Construction Materials Clause (Feb 2009): 52-225-9 (4)(2)(i). The cost of its components mined, produced, or manufactured in the United States exceeds 50 percent of the cost of all its components.

Breakdown of Origin of Materials:
Ceiling fan parts are made in Taiwan, a World Trade Organization Government Procurement Agreement country. Final assembly and UL 507 electrical compliance testing will be done in the US. US labor will be used in the assembly, handling and testing of this fan.

ITEM	ORIGIN	% of COST of ITEM
Fan Components	Taiwan	41.18%
U.S. Labor MFC Facility*	USA	34.46%
Domestic Shipping	USA	10.34%
International Shipping	USA	11.20%
US Duty	USA	1.96%
Shipping Insurance	USA	0.88%

* US labor cost includes, but is not limited to: hands-on assembly, packaging and warehousing.

Taiwan

Applicability to Buy American Act - Construction Materials Under Trade Agreements:
Construction Materials Clause (Aug 2009): 52-225-11 as prescribed in 25-1102. Ceiling fan parts and assembly comprise a "WTO GPA country end-product."

Breakdown of Origin of Materials:
Ceiling fan is made in Taiwan, a World Trade Organization Government Procurement Agreement country.

ITEM	ORIGIN	% of COST of ITEM
Ceiling Fan Components/ Assembly Labor	Taiwan	74.59%
Shipping/ Handling / Insurance / Duty	USA	25.41%



LIGHT KIT PHOTOMETRICS	
Lamping (Replaceable)	LED
Delivered Temperature in K	3000
Delivered Lumens	805 (x2)
Watts	18 (x2)
Hours	25,000
Light kit longevity if used 6 Hours/Day: 11.4 Years	

AMERICA

FINISH AND BLADE OPTIONS

SKU#	AM-XX-XX-XX (Model+Diameter+Light)	
Light Kit	Without Light Kit	NA LK
Fan Diameter	42 inches / 107 cm	42
	52 inches / 132 cm	52

TECHNICAL SPECS

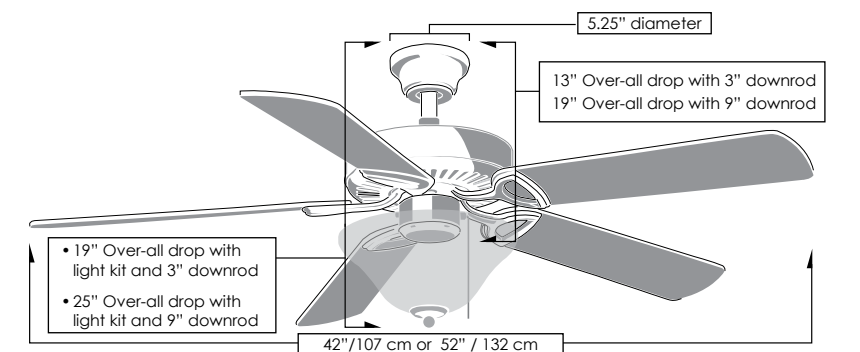
Fan Diameters	inches: 42 or 52 centimeters: 107 or 132
Blade Material	MDF
Overall Drops with both standard downrods: 3" and 9"	13" without light kit and 3" downrod 19" with light kit and 3" downrod 19" without light kit and 9" downrod 25" with light kit and 9" downrod
Fan Weight	21 lbs
Downrods Lengths <i>Field cuttable. Non-threaded</i>	inches: 5, 10, 20, 30, 48, 72 centimeters: 13, 25, 51, 76, 122, 183
Downrod Diameter	1 inch
Lead length	78"
Voltage	110 or 220
Motor Type	AC
Motor size	172 mm x 14 mm (3 speeds and forward/reverse)
Mounting	Vaulted ceiling canopy for up to 29°
Control	Pull-chain (Wall control available as accessory)
Light kit	Available as accessory with X2 GU24 sockets and frosted glass bowl. LED lamps.
Ambience	Silent
Safety Certification	UL Listed - Dry Location
Warranty	Limited Lifetime

STANDARD EQUIPMENT

One downrod of 3 inches / 8 cm
One downrod of 9 inches / 23 cm
Vaulted ceiling canopy for up to 30°

NEW JAN 21, 2020 DOE MOTOR EFFICIENCY DATA

	With 3" Downrod	With 3" Downrod	With 9" Downrod	With 9" Downrod
	42 inch 107 cm	52 inch 132 cm	42 inch 107 cm	52 inch 132 cm
RPM (Low / High)	87 / 243	54 / 162	93 / 249	57 / 166
CFM (Low / High)	1488 / 4204	1313 / 4083	1419 / 4050	1699 / 4643
Watts (High)	60	64.67	61	59
CFM/Watt (High)	58	63.14	58	79
Blade Pitch	12°	12°	12°	12°



shown in Textured Bronze with Metal Blades and Decorative Cage



shown in Textured Bronze with Barn Wood Blades



shown in Textured Bronze with Matte Black Blades



shown in Matte Black with Mahogany Blades



shown in Textured Bronze with Metal Blades in Safety Cage



Dagny

Designed in 2011



The double-headed 360° rotational fan, Dagny, with cylindrical central housing and straight, parallel arms, is designed in the retrospective aesthetic. The Dagny offers smooth and quiet axial rotation. Its fan heads can be infinitely positioned in 180-degree arcs for optimum air movement; the greater the angles of the motors to the horizontal support rods (up or down), the faster the axial rotation. A slow, controlled axial rotation is achieved by both fan head position and fan blade speed. Matthews rotational fans circulate heat and air-conditioning more efficiently than traditional paddle fans. Constructed of cast aluminum and heavy stamped steel, the Dagny carries a limited lifetime warranty. The Dagny is also available with a light kit as the *Dagny-LK*.

Product Features



American Labor



AC Motor



360° Rotation



Safety Cage Compatible



Damp Location



Soothing White Noise



Remote Control



Unipack Shipping

DAGNY

FINISH AND BLADE OPTIONS

SKU#	DG-XX-XXXX (Model+Finish+Blade)	
NEW Standard Finish	Textured Bronze Matte Black	TB BK
NEW Blade Styles and Material	Solid Wood / Barn Wood Solid Wood / Mahogany Solid Wood / Matte Black Metal w/ Decorative Cage Metal w/ Safety Cage	WDBW WD WDBK MTL MSAF

TECHNICAL SPECS

Fan Weight	22 lbs
Voltage	110 (Contact us for 220 conversion)
Motor Type	AC
Rotation	Yes
Downrods Lengths <i>Field cuttable, Non-Threaded</i>	inches: 5, 10, 20, 30, 48, 72 centimeters: 13, 25, 51, 76, 122, 183
Downrod Diameter	1 inch
Overall Drop	14 inches / 36 cm + downrod length
Environment	Damp locations for all finishes Neither coastal, saltwater nor chlorine compatible
Ambience	Soothing White Noise
Safety Certification	UL / CUL
Warranty	Limited Lifetime

NEW JAN 21, 2020 DOE MOTOR EFFICIENCY DATA

Fan Head Options	Solid Wood	Metal with Guard
Fan Diameter	41 inches / 104 cm	39 inches / 99 cm
Fan Blade Diameter	16 inches / 41 cm	13 inches / 33 cm
Guard Options	No Cage Option	Safety Cage or Decorative Cage
RPM (Low / High)	1012 / 1445	1035 / 1448
CFM (Low / High)	2565 / 4168	2199 / 3169
Watts (High)	87.26	80.69
CFM/Watt (High)	50	42
Blade Pitch	19°	31°

STANDARD EQUIPMENT

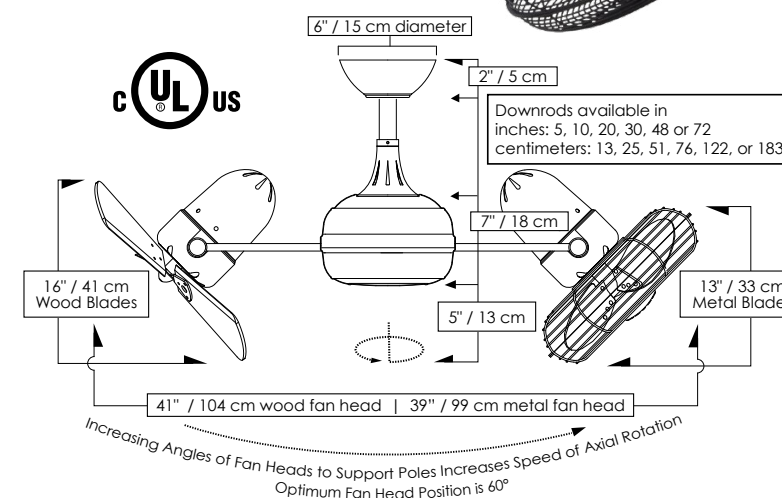
One downrod of 10 inches / 25 cm
Vaulted ceiling canopy for up to 29"

ACCESSORY

Black 3-speed RF remote control with reverse



Decora-style, 3-speed, non-dimmable wall control





shown in Brushed Nickel with Mahogany blades



shown in Brushed Nickel with Barn Wood Blades



shown in Textured Bronze with Metal Blades and Decorative Cage



shown in Textured Bronze with Barn Wood Blades



shown in Matte Black with Matte Black Blades

Dagny LK

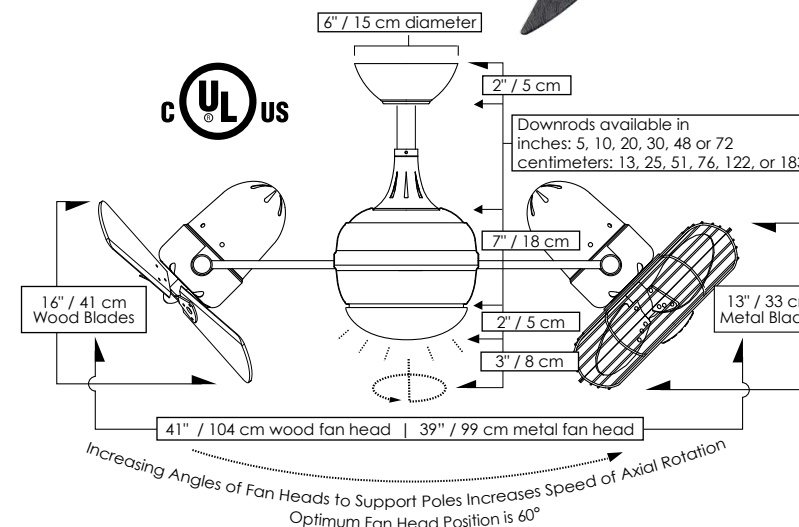
Designed in 2013



With clean, fluid lines, the Dagny LK 360° rotational fan is a striking centerpiece in any space. Its movement about its cylindrical center housing is smooth and quiet. Dagny LK's dual fan heads can be infinitely positioned in 180-degree arcs for optimum and customized air movement. As the angle between the fan heads and the horizontal support rods is increased, so does the speed of Dagny LK's axial rotation. Matthews rotational fans circulate heat and air conditioning more efficiently than traditional paddle fans. Constructed from cast aluminum and heavy stamped steel, the Dagny LK carries a limited lifetime warranty. This model is also available without a light kit as the **Dagny**.

Product Features

- American Labor
- AC Motor
- 360° Rotation
- Safety Cage Compatible
- Damp Location
- Soothing White Noise
- LED Lamp
- Remote Control
- Unipack Shipping



DAGNY LK

FINISH AND BLADE OPTIONS

SKU#	DGLK-XX-XXXX (Model+Finish+Blade)	
NEW Standard Finishes	Brushed Nickel	BN
	Matte Black	BK
	Textured Bronze	TB
NEW Blade Styles and Material	Solid Wood / Barn Wood	WDBW
	Solid Wood / Mahogany	WD
	Solid Wood / Matte Black	WDBK
	Metal w/ Decorative Cage	MTL
	Metal w/ Safety Cage	MSAF

TECHNICAL SPECS

Overall Drop	14 inches / 41 cm + downrod length
Fan Weight	22 lbs
Voltage	110 (Contact us for 220 conversion)
Motor Type	AC
Rotation	Yes
Downrods Lengths <i>Field cuttable, Non-Threaded</i>	inches: 5, 10, 20, 30, 48, 72 centimeters: 13, 25, 51, 76, 122, 183
Downrod Diameter	1 inch
Environment	Damp locations for all finishes Neither coastal, saltwater nor chlorine compatible
Ambience	Soothing White Noise
Safety Certification	UL / CUL
Warranty	Limited Lifetime

NEW JAN 21, 2020 DOE MOTOR EFFICIENCY DATA

Fan Head Options	Solid Wood	Metal with Guard
Fan Diameter	41 inches / 104 cm	39 inches / 99 cm
Fan Blade Diameter	16 inches / 41 cm	13 inches / 33 cm
Guard Options	No Cage Option	Safety Cage or Decorative Cage
RPM (Low / High)	757 / 1256	1069 / 1442
CFM (Low / High)	2557 / 4171	1844 / 3067
Watts (High)	87.36	80.50
CFM/Watt (High)	50	39
Blade Pitch	19°	31°

LIGHT KIT PHOTOMETRICS

Lamping (Replaceable)	Integrated LED
Remote Dimmable	Yes
Delivered Temperature in K	2969
Delivered Lumens	523.7
CRI	90
Watts	18
Hours	50,000

Light kit longevity if used 6 Hours/Day: 22.8 Years

STANDARD EQUIPMENT

One downrod of 10 inches / 25 cm

Vaulted ceiling canopy for up to 29"

Black 3-speed RF remote control with reverse



ACCESSORY

Decora-style, 3-speed, non-dimmable wall control



shown in Brushed Brass



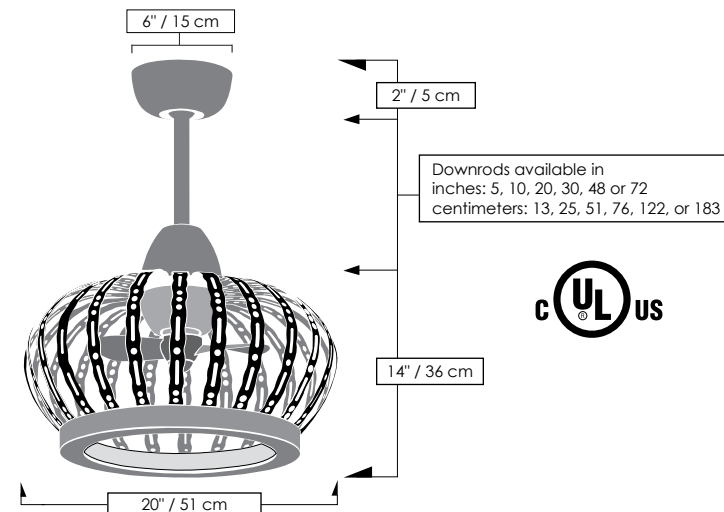
shown in Brushed Bronze



shown in Matte Black



shown in Matte White



DANA

FINISH AND BLADE OPTIONS

SKU#	DM-XXXX (Model+Finish)	
Standard Finishes	Brushed Brass	BRBR
	Brushed Bronze	BB
	Matte Black	BK
	Matte White	MWH

TECHNICAL SPECS

Fan Diameter	20 inches / 51 cm
Blade Material	Rubber
Overall Drop	16 inches / 41 cm + downrod length
Fan Weight	23 lbs
Voltage	110 or 220
Motor Type	AC
Downrods Lengths <i>Field cuttable, Non-Threaded</i>	inches: 5, 10, 20, 30, 48, 72 centimeters: 13, 25, 51, 76, 122, 183
Downrod Diameter	1 inch
Environment	Damp locations for all finishes Neither coastal, saltwater nor chlorine compatible
Ambience	Soothing White Noise
Safety Certification	UL / CUL
Warranty	Limited Lifetime

NEW JAN 21, 2020 DOE MOTOR EFFICIENCY DATA

RPM (Low / High)	1095 / 1666
CFM (Low / High)	691 / 1100
Watts (High)	32
CFM/Watt (High)	42
Blade Pitch	31°

LIGHT KIT PHOTOMETRICS

Lamping (Replaceable)	Integrated LED
Remote Dimmable	Yes
Delivered Temperature in K	2923
Delivered Lumens	578
CRI	93.8
Watts	24
Hours	49,000

Light kit longevity if used 6 Hours/Day: 22.4 Years

STANDARD EQUIPMENT

- One downrod of 10 inches / 25 cm
- Vaulted ceiling canopy for up to 29°

Light cover

Black 3-speed RF remote control with reverse		Decora-style, 3-speed, non-dimmable wall control	



Dana

Designed in 2019

Both ceiling fan and LED pendant, Dana is our most versatile fixture. Her diminutive blades and LED light kit are concealed by intricate, organically inspired metal work finished in Matte Black, Matte White, Brushed Bronze, or Brushed Brass. Constructed of cast aluminum and heavy stamped steel, the Dana carries a limited lifetime warranty.

Product Features

AC Motor	Damp Location	Soothing White Noise	LED Lamp	Dimmable Lamp	Remote Control	Wall Control	Unipack Shipping
----------	---------------	----------------------	----------	---------------	----------------	--------------	------------------

shown in Brushed Nickel with Metal blades and Decorative Cage

shown in Textured Bronze with Mahogany blades

shown in Textured Bronze with Metal blades and Decorative Cage

shown in Matte Black with Matte Black blades

shown in Polished Chrome with Metal blades and Decorative Cage

shown in Polished Chrome with Barn Wood blades



Diane

Designed in 2008

The Diane directional fan head provides maximum airflow with a sweeping 90° forward and reverse oscillation. The Diane can be hung in small, awkward spaces or in front of HVAC ducts to improve the efficiency of heating, ventilation or air conditioning of any space. Constructed of cast aluminum and heavy stamped steel, the Diane carries a limited lifetime warranty.

Product Features



DIANE

FINISH AND BLADE OPTIONS

SKU#	DI-XX-XXXX (Model+Finish+Blade)	
Standard Finishes	Brushed Nickel	BN
	Matte Black	BK
	Polished Chrome	CR
	Textured Bronze	TB
NEW Blade Styles and Material	Solid Wood/Barn Wood	WDBW
	Solid Wood/Mahogany	WD
	Solid Wood/Matte Black	WDBK
	Metal w/ Decorative Cage	MTL
	Metal w/ Safety Cage	MSAF

TECHNICAL SPECS

Fan Weight	12 lbs
Voltage	110 or 220
Motor Type	AC
Oscillation	Yes
Downrods Lengths <i>Field cuttable. Non-threaded</i>	inches: 5, 10, 20, 30, 48, 72 centimeters: 13, 25, 51, 76, 122, 183
Downrod Diameter	1 inch
Overall Drop	Metal Blades 14 inches / 36 cm + downrod length
	Wood Blades 12 inches / 30 cm + downrod length
Environment	Damp locations for all finishes Neither coastal, saltwater nor chlorine compatible
Ambience	Soothing White Noise
Safety Certification	ETL / CETL
Warranty	Limited Lifetime

NEW JAN 21, 2020 DOE MOTOR EFFICIENCY DATA

Fan Head Options	Solid Wood	Metal with Guard
Fan Diameter	16 inches / 41 cm	13 inches / 33 cm
Fan Blade Diameter	16 inches / 41 cm	13 inches / 33 cm
Guard Options	No Cage Option	Decorative Cage or Safety Cage
RPM (Low / High)	865 / 1325	900 / 1377
CFM (Low / High)	1441 / 2152	1068 / 1345
Watts (High)	51.37	46.14
CFM/Watt (High)	44	31
Blade Pitch	19°	31°

STANDARD EQUIPMENT

- One downrod of 10 inches / 25 cm
- Vaulted ceiling canopy for up to 29°

ACCESSORY

Black 3-speed RF remote control



Decora-style, 3-speed wall control in white





shown in Gloss White with Barn Wood blades

COASTAL WET LOCATION
100% 316 MARINE GRADE STAINLESS STEEL

Donaire

Designed in 2015



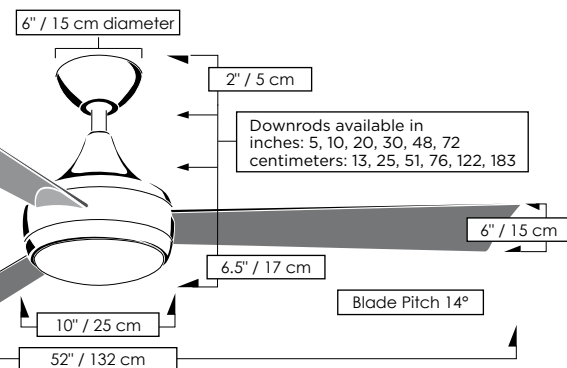
shown in Brushed Stainless with Barn Wood blades and optional metal cover



shown in Gloss White with Gloss White blade



shown in Brushed Stainless with Brushed Stainless blades



With teardrop motor housing, the 52" Donaire 316 marine grade stainless steel coastal wet location ceiling fan is transitional in design. Donaire is finished in brushed bronze, brushed stainless, or gloss white, equipped with all weather blades and 16W LED dimmable light kit with optional metal cover. Constructed of entirely 316 marine grade stainless steel, the Donaire carries a limited lifetime warranty.

Product Features

- AC Motor
- Coastal Environment
- Wet Location
- Silent
- LED Lamp
- Dimmable Lamp
- Remote Control
- Unipack Shipping

DONAIRE

FINISH AND BLADE OPTIONS

SKU#	DA-XX-XX (Model+Finish+Blade)	
Standard Finishes	Brushed Bronze	BB
	Brushed Stainless	BS
	Gloss White	WH
Blade Finish	Barn Wood Tone	BW
	Brushed Bronze	BB
	Brushed Stainless	BS
	Gloss White	WH

TECHNICAL SPECS

Fan Diameter	52 inches / 132 cm
Blade Material	ABS
Overall Drop	8.5 inches / 22 cm + downrod length
Fan Weight	29 lbs
Voltage	110 or 220
Motor Type	AC
Downrods Lengths	inches: 5, 10, 20, 30, 48, 72 centimeters: 13, 25, 51, 76, 122, 183
Field cuttable, Non-Threaded	
Downrod Diameter	1 inch
Environment	Coastal and wet locations All weather blade system
Ambience	Silent
Safety Certification	UL / CUL
Warranty	Limited Lifetime

NEW JAN 21, 2020 DOE MOTOR EFFICIENCY DATA

RPM (Low / High)	55 / 172
CFM (Low / High)	1775 / 6013
Watts (High)	58.62
CFM/Watt (High)	111
Blade Pitch	14°

LIGHT KIT PHOTOMETRICS

Lamping (Replaceable)	Integrated LED
Remote Dimmable	Yes
Delivered Temperature in K	3017
Delivered Lumens	725
CRI	90
Watts	16
Hours	60,000

Light kit longevity if used 6 Hours/Day: 27.4 Years

STANDARD EQUIPMENT

- One downrod of 10 inches / 25 cm
- Vaulted ceiling canopy for up to 29°

Light cover

Black 3-speed RF remote control with reverse



Decora-style, 3-speed, non-dimmable wall control



ACCESSORY

Blade Options



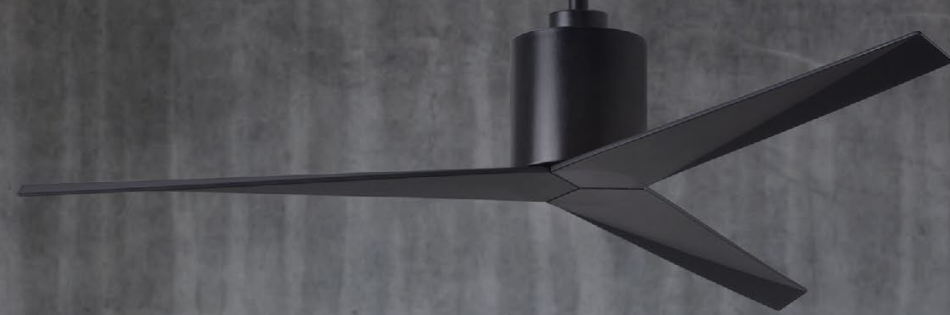


Eliza *Geometry in Motion*

Designed in 2014



shown in Matte Black with Matte Black blades



shown in Gloss White with Gloss White blades



shown in Gloss White with Walnut blades



shown in Matte Black with Old Oak blades



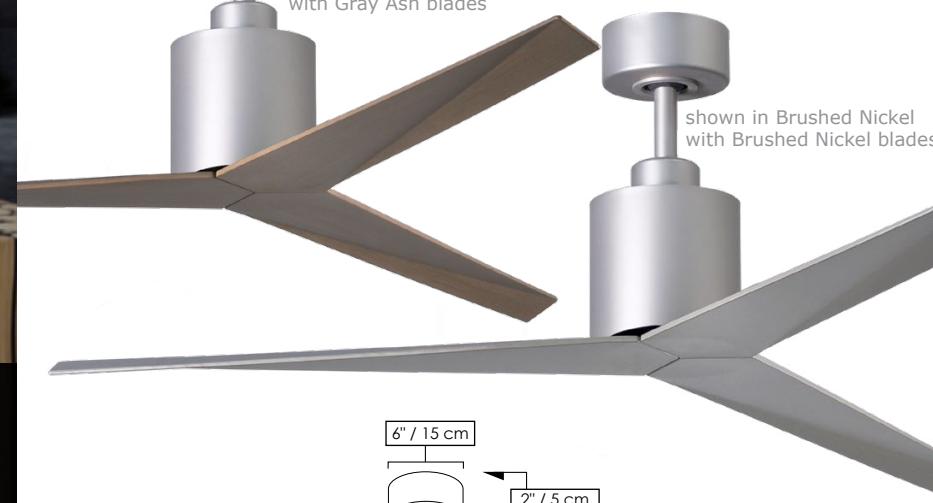
shown in Gloss White with Barn Wood blades



shown in Brushed Nickel with Gray Ash blades



shown in Brushed Nickel with Brushed Nickel blades



Designed by Chicago architect Stephen Katz in 2013, the wet location Eliza blends a beautiful technically derived form with superior function and movement. The unique blade shape is designed to maximize air movement at the outer edge of the blade. The result is more efficient air velocity rings, less blade drag and greater motor optimization. Equally important is Eliza's stationary visual statement which combines modern utility with minimalist geometry. Constructed of cast aluminum and heavy stamped steel, the Eliza has a limited lifetime warranty.

Product Features

- DC Motor
- Wet Location
- Silent
- Remote Control
- Wall Control
- Unipack Shipping

ELIZA

FINISH AND BLADE OPTIONS

SKU#	EK-XX-XX (Model+Finish+Blade)	
Standard Finishes	Brushed Nickel Gloss White Matte Black	BN WH BK
Blade Finish	Barn Wood Brushed Nickel Gloss White Gray Ash Matte Black Old Oak Walnut	BW BN WH GA BK OO WN

TECHNICAL SPECS

Fan Diameter	56 inches / 142 cm
Blade Material	ABS
Overall Drop	12 inches / 30 cm + downrod length
Fan Weight	17 lbs
Voltage	110 or 220
Motor Type	DC
Downrods Lengths <i>Field cuttable, non-threaded</i>	inches: 5, 10, 20, 30, 48, 72 centimeters: 13, 25, 51, 76, 122, 183
Downrod Diameter	1 inch
Environment	Wet locations for all finishes All weather blade system. Neither coastal, saltwater nor chlorine compatible
Ambience	Silent
Safety Certification	ETL / CETL
Warranty	Limited Lifetime

NEW JAN 21, 2020 DOE MOTOR EFFICIENCY DATA

RPM (Low / High)	55 / 172
CFM (Low / High)	1633 / 5439
Watts (High)	33.13
CFM/Watt (High)	167
Blade Pitch	27°

STANDARD EQUIPMENT

- One downrod of 10 inches / 25 cm
- Vaulted ceiling canopy for up to 30°

Black 6-speed RF remote control with reverse

White wireless Decora-style, 6-speed, wall control with reverse

NOTE: Only compatible with included controllers.

Blade Options

Barn Wood

Gray Ash

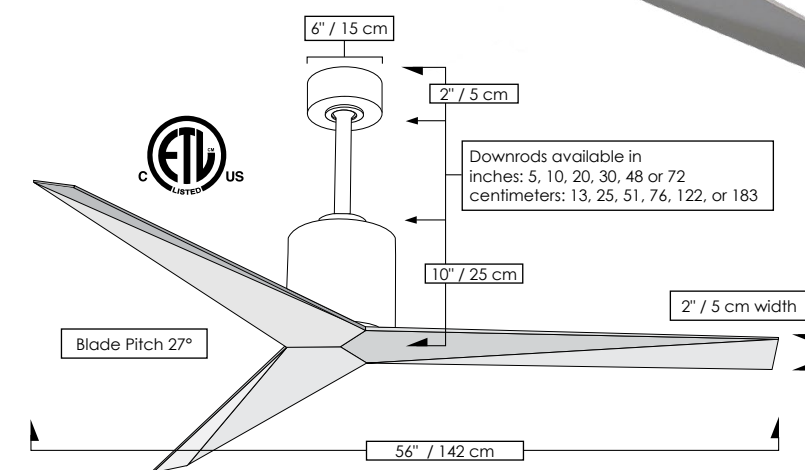
Old Oak

Walnut

Brushed Nickel

Matte Black

Gloss White

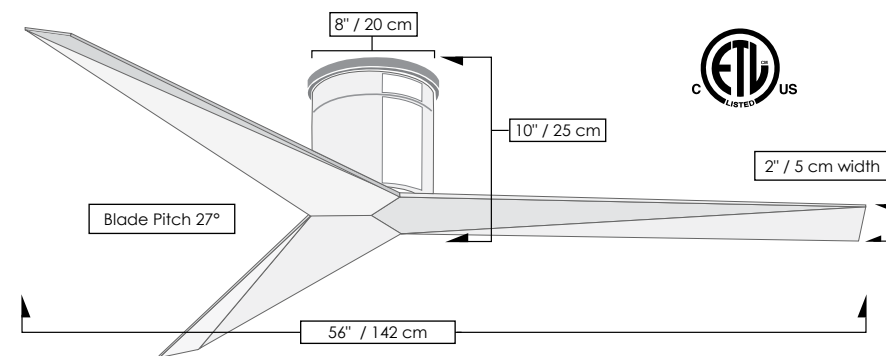




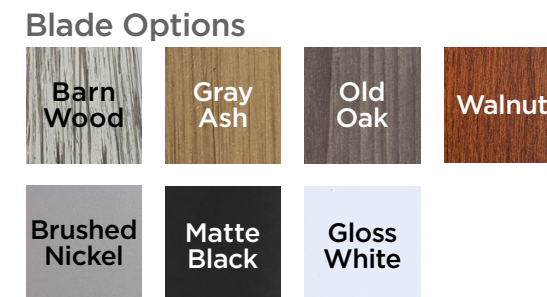
Eliza-H *Geometry in Motion*

Designed in 2014

Designed by Chicago architect Stephen Katz in 2014, the Eliza-H ceiling-mount fan blends a beautiful technically derived form with superior function and movement. The unique blade shape is designed to maximize air movement at the outer edge of the blade. The result is more efficient air velocity rings, less blade drag and greater motor optimization. Equally important is Eliza-H's stationary visual statement which combines modern utility with minimalist geometry. Constructed of cast aluminum and heavy stamped steel, the Eliza-H has a limited lifetime warranty.



ELIZA-H		
FINISH AND BLADE OPTIONS		
SKU#	EKH-XX-XX (Model+Finish+Blade)	
Standard Finishes	Brushed Nickel	BN
	Gloss White	WH
	Matte Black	BK
Blade Finish	Barn Wood	BW
	Brushed Nickel	BN
	Gloss White	WH
	Gray Ash	GA
	Matte Black	BK
	Old Oak	OO
	Walnut	WN
TECHNICAL SPECS		
Fan Diameter	56 inches / 142 cm	
Blade Material	ABS	
Overall Drop	10 inches / 25 cm	
Fan Weight	14 lbs	
Voltage	110 or 220	
Motor Type	DC	
Environment	Damp locations for all finishes Neither coastal, saltwater nor chlorine compatible	
Ambience	Silent	
Safety Certification	ETL / CETL	
Warranty	Limited Lifetime	
NEW JAN 21, 2020 DOE MOTOR EFFICIENCY DATA		
RPM (Low / High)	52 / 175	
CFM (Low / High)	1123 / 4034	
Watts (High)	33.49	
CFM/Watt (High)	122	
Blade Pitch	27°	
STANDARD EQUIPMENT		
Black 6-speed RF remote control with reverse		White wireless Decora-style, 6-speed, wall control with reverse
NOTE: Only compatible with included controllers.		



shown in Matte Black with 52" Matte Black blades



shown in Textured Bronze with 52" Walnut blades



shown in Matte Black with 60" Matte White blades



shown in Textured Bronze with 42" Barn Wood blades



shown in Matte Black with 60" Walnut blades



IRENE-3

FINISH AND BLADE OPTIONS

SKU#	IR3-XX-XXX-XX (Model+Finish+Blade+Diameter)	
NEW Standard Finishes	Matte Black	BK
	Textured Bronze	TB
NEW Blade Finishes	Barn Wood Tone	BW
	Matte Black	BK
	Matte White	MWH
	Walnut Tone	WA
Fan Diameter	42 inches / 107 cm 52 inches / 132 cm 60 inches / 152 cm	42 52 60

TECHNICAL SPECS

Fan Diameter	inches: 42, 52 or 60 centimeters: 107, 132 or 152
Blade Material	CNC Cut Solid Wood
Overall Drop	12 inches / 30 cm + downrod length
Fan Weight	17 lbs
Downrods Lengths <i>Field cuttable. Non-threaded</i>	inches: 5, 10, 20, 30, 48, 72 centimeters: 13, 25, 51, 76, 122, 183
Downrod Diameter	1 inch
Voltage	110 or 220
Motor Type	DC
Environment	Damp locations for all finishes Neither coastal, saltwater nor chlorine compatible
Ambience	Silent
Safety Certification	ETL / CETL
Warranty	Limited Lifetime

NEW JAN 21, 2020 DOE MOTOR EFFICIENCY DATA

Fan Diameter	42 inch / 107 cm	52 inch / 132 cm	60 inch / 152 cm
RPM (Low/High)	52 / 231	51 / 196	52 / 160
CFM (Low/High)	541 / 3517	1531 / 6168	2088 / 6984
Watts (High)	17.08	32.12	31.67
CFM/Watt (High)	163	185	218
Blade Pitch	15°	15°	15°

STANDARD EQUIPMENT

- One downrod of 10 inches / 25 cm
- Vaulted ceiling canopy for up to 30°

Black 6-speed RF remote control with reverse



White wireless Decora-style, 6-speed, wall control with reverse



NOTE: Only compatible with included controllers.



Irene-3

Designed in 2012

The Irene-3 is rustic, yet strikingly modern with three neatly joined, solid matte black, matte white, walnut, or barn wood tone blades. A spherical motor housing complements its minimal profile. Irene-3 is streamline while still appearing warm and natural. Constructed of cast aluminum and heavy stamped steel, the Irene-3 has a limited lifetime warranty.

Product Features



DC Motor



Damp Location



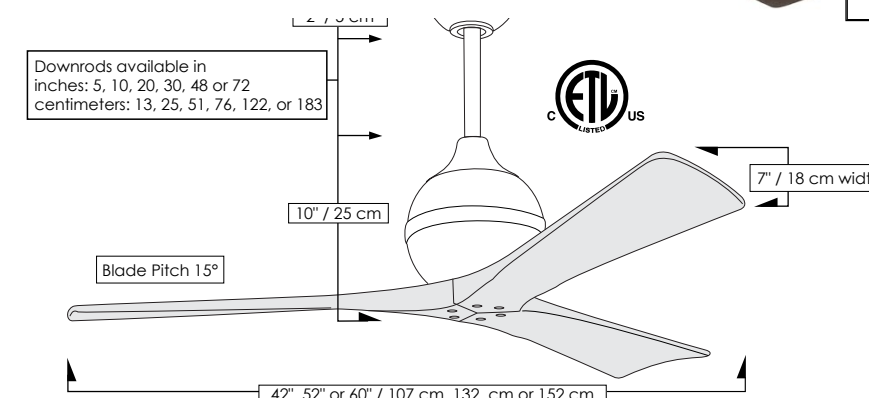
Silent



Remote Control



Wall Control



Blade Options



shown in Gloss White with 42" Barn Wood blades



Irene-3H

Designed in 2013



The Irene-3H ceiling-mount fan is rustic, yet strikingly modern with three neatly joined, solid wood matte black, matte white, walnut, or barn wood tone blades. A cylindrical motor housing complements its minimal profile. Irene-3H is streamline while still appearing warm and natural. Constructed of cast aluminum and heavy stamped steel, the Irene-3H has a limited lifetime warranty.

Product Features



DC Motor



Damp Location



Silent



Remote Control



Wall Control



shown in Brushed Brass with 60" Matte White blades

shown in Brushed Bronze with 42" Barn Wood blades

shown in Matte Black with 42" Matte Black blades

shown in Textured Bronze with 42" Walnut blades

shown in Brushed Nickel with 42" Matte White blades

shown in Barn Wood with 60" Matte Black blades

shown in Polished Chrome with 52" Barn Wood blades

shown in Walnut with 42" Walnut blades

shown in Brushed Pewter with 42" Walnut blades

Blade Options



IRENE-3H

FINISH AND BLADE OPTIONS

SKU#	IR3H-XXXX-XXX-XX (Model+Finish+Blade+Diameter)	
NEW Standard Finishes	Barn Wood	BW
	Brushed Brass	BRBR
	Brushed Bronze	BB
	Brushed Nickel	BN
	Brushed Pewter	BP
	Gloss White	WH
	Matte Black	BK
NEW Blade Finishes	Polished Chrome	CR
	Textured Bronze	TB
	Walnut	WN
	Barn Wood Tone	BW
Fan Diameter	Matte Black	BK
	Matte White	MWH
	Walnut Tone	WA
Fan Diameter	42 inches / 107 cm	42
	52 inches / 132 cm	52
	60 inches / 152 cm	60

TECHNICAL SPECS

Fan Diameter	inches: 42, 52 or 60 centimeters: 107, 132 or 152
Blade Material	CNC Cut Solid Wood
Overall Drop	10 inches / 25 cm
Fan Weight	11 lbs
Voltage	110 or 220
Motor Type	DC
Environment	Damp locations for all finishes Neither coastal, saltwater nor chlorine compatible
Ambience	Silent
Safety Certification	ETL / CETL
Warranty	Limited Lifetime

NEW JAN 21, 2020 DOE MOTOR EFFICIENCY DATA

Fan Diameter	42 inch / 107 cm	52 inch / 132 cm	60 inch / 152 cm
RPM (Low / High)	51 / 231	51 / 193	52 / 155
CFM (Low / High)	746 / 3743	1254 / 5326	1755 / 5720
Watts (High)	17.61	32.38	32.08
CFM/Watt (High)	176	160	181
Blade Pitch	15°	15°	15°

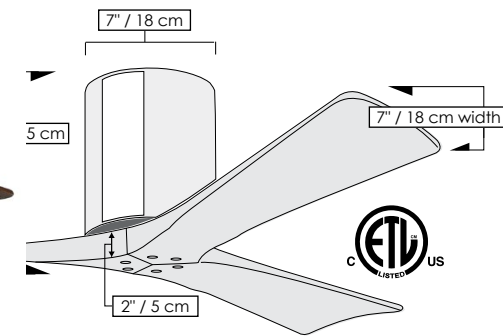
STANDARD EQUIPMENT



Black 6-speed RF remote control with reverse

White wireless Decora-style, 6-speed, wall control with reverse

NOTE: Only compatible with included controllers.



Blade Pitch 15°

42", 52" or 60" / 107 cm, 132 cm or 152 cm



Irene-3HLK

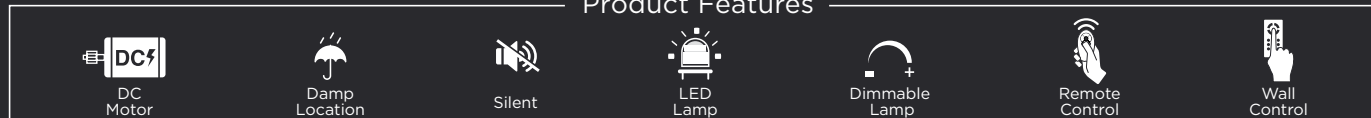
Designed in 2016



shown in Brushed Brass with 52" Walnut blades

The Irene-3HLK ceiling-mount fan is rustic, yet strikingly modern with three neatly joined, solid wood matte black, matte white, walnut, or barn wood tone blades. A cylindrical motor housing complements its minimal profile. Irene-3HLK is streamline while still appearing warm and natural. Constructed of cast aluminum and heavy stamped steel, the Irene-3HLK has a limited lifetime warranty.

Product Features



shown in Brushed Nickel with 52" Barn Wood blades

shown in Matte Black with 52" Matte Black blades

shown in Walnut with 42" Walnut blades

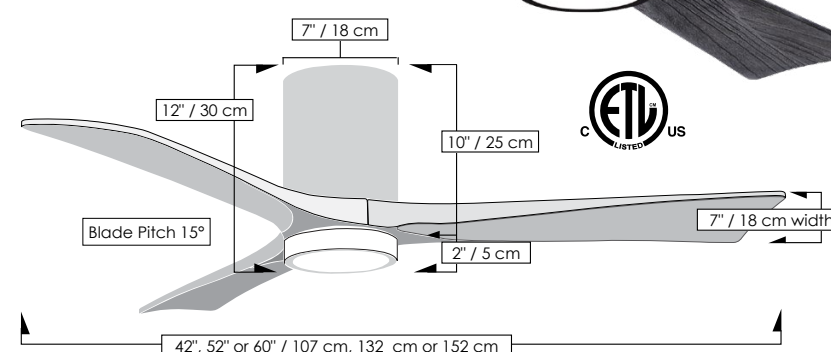
shown in Textured Bronze with 60" Walnut blades

shown in Barn Wood with 42" Barn Wood blades

shown in Polished Chrome with 52" Matte Black blades

shown in Gloss White with 60" Matte White blades

shown in Brushed Bronze with 52" Barn Wood blades



IRENE-3HLK

FINISH AND BLADE OPTIONS

SKU#	IR3HLK-XXXX-XXX-XX (Model+Finish+Blade+Diameter)	
NEW Standard Finishes	Barn Wood	BW
	Brushed Brass	BRBR
	Brushed Bronze	BB
	Brushed Nickel	BN
	Gloss White	WH
	Matte Black	BK
	Polished Chrome	CR
	Textured Bronze	TB
Walnut	WN	
NEW Blade Finishes	Barn Wood Tone	BW
	Matte Black	BK
	Matte White	MWH
	Walnut Tone	WA
Fan Diameter	42 inches / 107 cm	42
	52 inches / 132 cm	52
	60 inches / 152 cm	60

TECHNICAL SPECS

Fan Diameter	inches: 42, 52 or 60 centimeters: 107, 132 or 152
Blade Material	CNC Cut Solid Wood
Overall Drop	12 inches / 30 cm
Fan Weight	12 lbs
Voltage	110 or 220
Motor Type	DC
Environment	Damp locations for all finishes Neither coastal, saltwater nor chlorine compatible
Ambience	Silent
Safety Certification	ETL / CETL
Warranty	Limited Lifetime

NEW JAN 21, 2020 DOE MOTOR EFFICIENCY DATA

Fan Diameter	42 inch / 107 cm	52 inch / 132 cm	60 inch / 152 cm
RPM (Low / High)	50 / 232	51 / 212	51 / 152
CFM (Low / High)	701 / 3573	1057 / 5047	1783 / 5878
Watts (High)	17.61	32.49	30.81
CFM/Watt (High)	168	149	191
Blade Pitch	15°	15°	15°

LIGHT KIT PHOTOMETRICS

Lamping (Replaceable)	Integrated LED
Remote Dimmable	Yes
Delivered Temperature in K	3075
Delivered Lumens	690
CRI	90
Watts	16
Hours	60,000
Light kit longevity if used 6 Hours/Day: 27.4 Years	

STANDARD EQUIPMENT

Light Cover



NOTE: Only compatible with included controllers.

Blade Options





Irene-5

Designed in 2012



The Irene-5 is rustic, yet strikingly modern with five neatly joined, solid wood matte black, matte white, walnut, or barn wood tone blades. A spherical motor housing complements its minimal profile. Irene-5 is streamline while still appearing warm and natural. Constructed of cast aluminum and heavy stamped steel, the Irene-5 has a limited lifetime warranty.

Product Features



DC Motor



Damp Location



Silent



Remote Control



Wall Control

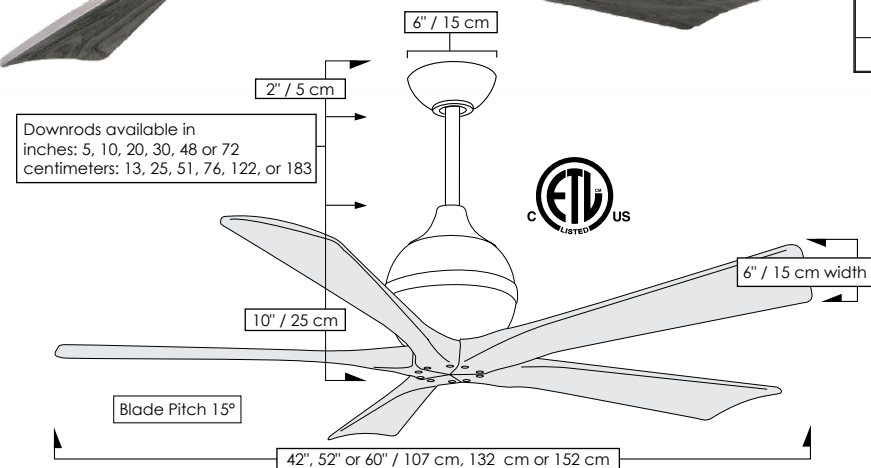
shown in Matte Black with 60" Barn Wood blades

shown in Matte Black with 52" Matte White blades

shown in Textured Bronze with 42" Barn Wood blades

shown in Textured Bronze with 52" Walnut blades

shown in Matte Black with 60" Barn Wood blades



IRENE-5

FINISH AND BLADE OPTIONS

SKU#	IR5-XX-XXX-XX (Model+Finish+Blade+Diameter)	
NEW Standard Finishes	Matte Black Textured Bronze	BK TB
NEW Blade Finishes	Barn Wood Tone Matte Black Matte White Walnut Tone	BW BK MWH WA
Fan Diameter	42 inches / 107 cm 52 inches / 132 cm 60 inches / 152 cm	42 52 60

TECHNICAL SPECS

Fan Diameter	inches: 42, 52 or 60 centimeters: 107, 132 or 152
Blade Material	CNC Cut Solid Wood
Overall Drop	12 inches / 30 cm + downrod length
Fan Weight	18 lbs
Downrods Lengths <i>Field cuttable. Non-threaded</i>	inches: 5, 10, 20, 30, 48, 72 centimeters: 13, 25, 51, 76, 122, 183
Downrod Diameter	1 inch
Voltage	110 or 220
Motor Type	DC
Environment	Damp locations for all finishes Neither coastal, saltwater nor chlorine compatible
Ambience	Silent
Safety Certification	ETL / CETL
Warranty	Limited Lifetime

NEW JAN 21, 2020 DOE MOTOR EFFICIENCY DATA

Fan Diameter	42 inch / 107 cm	52 inch / 132 cm	60 inch / 152 cm
RPM (Low / High)	52 / 229	51 / 156	52 / 77
CFM (Low / High)	852 / 4261	1784 / 5783	3328 / 5006
Watts (High)	25.33	32.18	31.38
CFM/Watt (High)	150	179	175
Blade Pitch	15°	15°	15°

STANDARD EQUIPMENT

- One downrod of 10 inches / 25 cm
- Vaulted ceiling canopy for up to 30°

6-speed RF remote control w/reverse in black



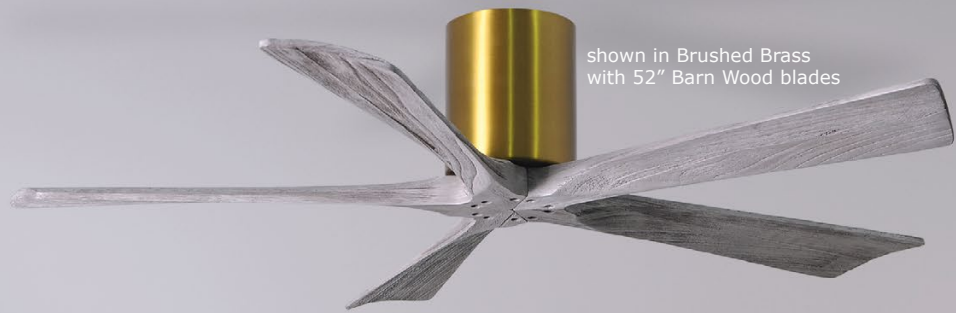
Wireless Decora-style, 6-speed, wall control in white



NOTE: Only compatible with included controllers.

Blade Options





shown in Brushed Brass with 52" Barn Wood blades



shown in Brushed Nickel with 52" Walnut blades



shown in Polished Chrome with 60" Barn Wood blades



shown in Matte Black with 42" Matte Black blades



shown in Walnut with 42" Barn Wood blades



shown in Textured Bronze with 42" Walnut blades



shown in Barn Wood with 42" Walnut blades



shown in Brushed Pewter with 42" Matte Black blades



shown in Brushed Bronze with 42" Matte Black blades



shown in Gloss White with 52" Matte White blades



Irene-5H

Designed in 2013



The Irene-5H ceiling-mount fan is rustic, yet strikingly modern with five neatly joined, solid wood, matte black, matte white, walnut, or barn wood tone blades. A cylindrical motor housing complements its minimal profile. Irene-5H is streamline while still appearing warm and natural. Constructed of cast aluminum and heavy stamped steel, the Irene-5H has a limited lifetime warranty.

Product Features



DC Motor



Damp Location



Silent



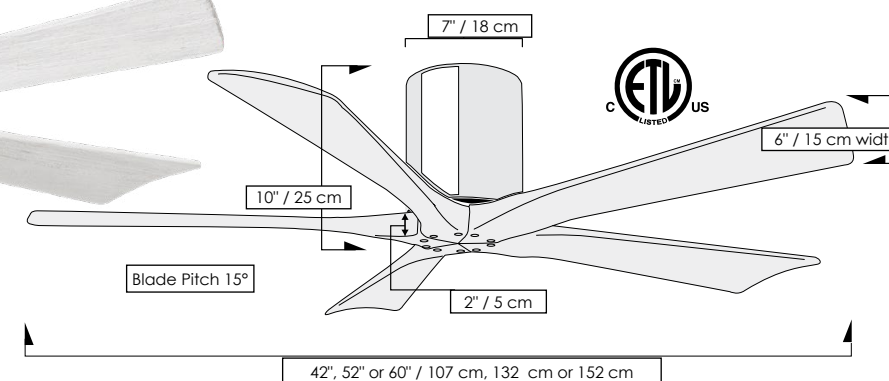
Remote Control



Wall Control

IRENE-5H			
FINISH AND BLADE OPTIONS			
SKU#	IR5H-XXXX-XXX-XX (Model+Finish+Blade+Diameter)		
NEW	Standard Finishes	Barn Wood	BW
		Brushed Brass	BRBR
		Brushed Bronze	BB
		Brushed Nickel	BN
		Brushed Pewter	BP
		Gloss White	WH
		Matte Black	BK
	Polished Chrome	CR	
	Textured Bronze	TB	
	Walnut	WN	
NEW	Blade Finishes	Barn Wood Tone	BW
		Matte Black	BK
		Matte White	MWH
	Walnut Tone	WA	
Fan Diameter	42 inches / 107 cm	42	
	52 inches / 132 cm	52	
	60 inches / 152 cm	60	
TECHNICAL SPECS			
Fan Diameter	inches: 42, 52 or 60 centimeters: 107, 132 or 152		
Blade Material	CNC Cut Solid Wood		
Overall Drop	10 inches / 25 cm		
Fan Weight	12 lbs		
Voltage	110 or 220		
Motor Type	DC		
Environment	Damp locations for all finishes Neither coastal, saltwater nor chlorine compatible		
Ambience	Silent		
Safety Certification	ETL / CETL		
Warranty	Limited Lifetime		
NEW JAN 21, 2020 DOE MOTOR EFFICIENCY DATA			
Fan Diameter	42 inch / 107 cm	52 inch / 132 cm	60 inch / 152 cm
RPM (Low / High)	51 / 226	51 / 151	51 / 78
CFM (Low / High)	855 / 3989	1631 / 4970	2201 / 3543
Watts (High)	25.76	31.46	31.58
CFM/Watt (High)	193	162	123
Blade Pitch	15°	15°	15°
STANDARD EQUIPMENT			
6-speed RF remote control w/reverse in black		Wireless Decora-style, 6-speed, wall control in white	
NOTE: Only compatible with included controllers.			

Blade Options





shown in Gloss White with 60" walnut blades



Irene-5HLK

Designed in 2016



The Irene-5HLK ceiling-mount fan is rustic, yet strikingly modern with five neatly joined, solid wood matte black, matte white, walnut, or barn wood tone blades. A cylindrical motor housing complements its minimal profile. Irene-5HLK is streamline while still appearing warm and natural. Constructed of cast aluminum and heavy stamped steel, the Irene-5HLK has a limited lifetime warranty.

Product Features



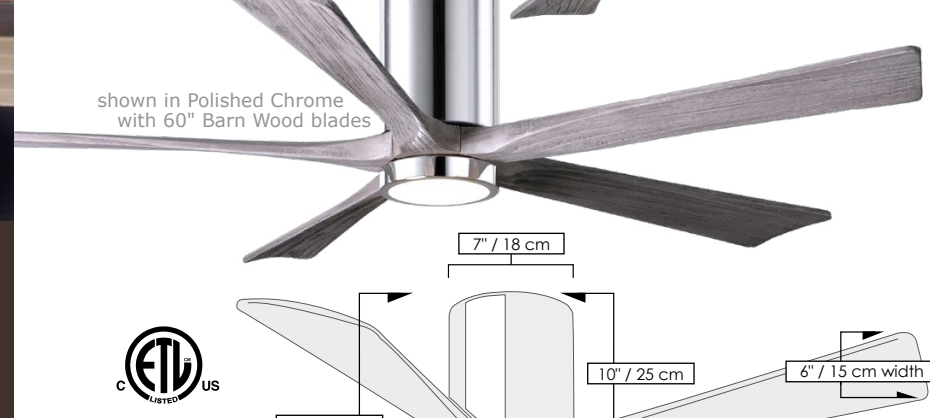
shown in Brushed Bronze with 42" Matte Black blades



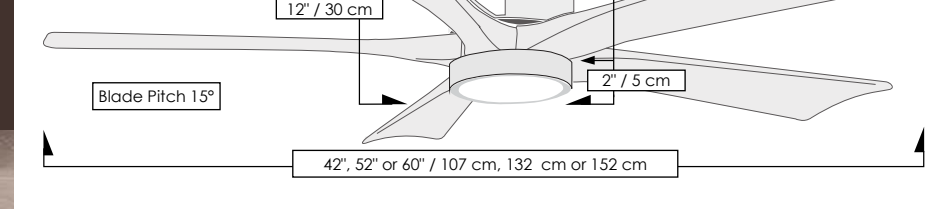
shown in Matte Black with 52" Matte Black blades



shown in Walnut with 42" Walnut blades



shown in Textured Bronze with 42" Walnut blades



IRENE-5HLK			
FINISH AND BLADE OPTIONS			
SKU#	IR5HLK-XXXX-XXX-XX (Model+Finish+Blade+Diameter)		
NEW Standard Finishes	Barn Wood	BW	
	Brushed Brass	BRBR	
	Brushed Bronze	BB	
	Brushed Nickel	BN	
	Gloss White	WH	
	Matte Black	BK	
	Polished Chrome	CR	
NEW Blade Finishes	Textured Bronze	TB	
	Walnut	WN	
	Barn Wood Tone	BW	
Fan Diameter	Matte Black	BK	
	Matte White	MWH	
	Walnut Tone	WA	
Fan Diameter	42 inches / 107 cm	42	
	52 inches / 132 cm	52	
	60 inches / 152 cm	60	
TECHNICAL SPECS			
Fan Diameter	inches: 42, 52 or 60 centimeters: 107, 132 or 152		
Blade Material	CNC Cut Solid Wood		
Overall Drop	12 inches / 30 cm		
Fan Weight	13 lbs		
Voltage	110 or 220		
Motor Type	DC		
Environment	Damp locations for all finishes Neither coastal, saltwater nor chlorine compatible		
Ambience	Silent		
Safety Certification	ETL / CETL		
Warranty	Limited Lifetime		
NEW JAN 21, 2020 DOE MOTOR EFFICIENCY DATA			
Fan Diameter	42 inch / 107 cm	52 inch / 132 cm	60 inch / 152 cm
RPM (Low / High)	51 / 220	51 / 179	51 / 88
CFM (Low / High)	861 / 4215	1212 / 4749	2116 / 3660
Watts (High)	31.66	31.12	30.78
CFM/Watt (High)	127	150	132
Blade Pitch	15°	15°	15°
LIGHT KIT PHOTOMETRICS			
Lamping (Replaceable)	Integrated LED		
Remote Dimmable	Yes		
Delivered Temperature in K	3075		
Delivered Lumens	690		
CRI	90		
Watts	16		
Hours	60,000		
Light kit longevity if used 6 Hours/Day: 27.4 Years			
STANDARD EQUIPMENT			
Light Cover			
6-speed RF remote control w/reverse in black		Wireless Decora-style, 6-speed, wall control in white	
NOTE: Only compatible with included controllers.			

Blade Options





shown in Textured Bronze



Kaye

Designed in 2012

The beautiful Kaye 3-speed versatile-mount, wall or ceiling fan, oscillates left to right, forward and reverse, in a 90° sweep. Its design is reminiscent of vintage train cabin ventilators of yester-year, and will cool down your favorite space with poise and determination. Kaye's profile is low, however its strength and character define it. Kaye can be mounted in any small or awkward spaces or in front of HVAC ducts to improve the efficiency of the heating, ventilation or air conditioning of your favorite space. Constructed of cast aluminum and heavy stamped steel, the Kaye carries a limited lifetime warranty.

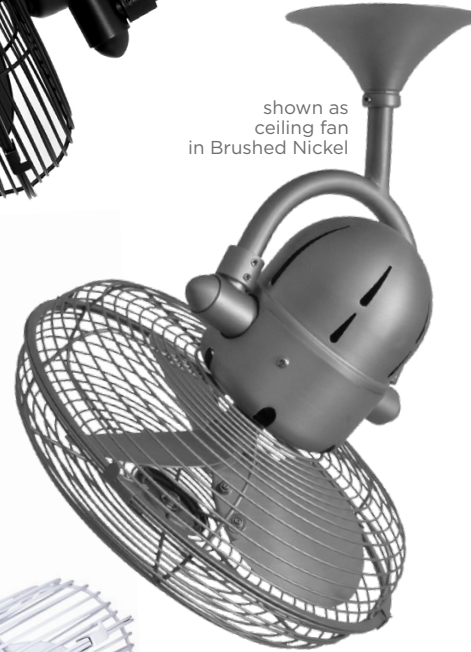
Product Features

American Labor	AC Motor	90° Oscillation	Safety Cage Equipped	Ceiling Mount	Wall Mount	Damp Location	Soothing White Noise	Wall Control	Unipack Shipping

shown in Matte Black



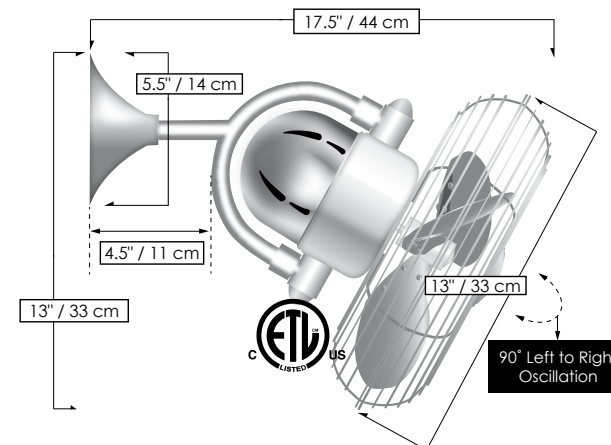
shown as ceiling fan in Brushed Nickel



shown as ceiling fan in Gloss White



shown in Polished Chrome



KAYE

FINISH AND BLADE OPTIONS

SKU#	KC-XX (Model+Finish)		
NEW	Finishes	Brushed Nickel	BN
		Matte Black	BK
		Polished Chrome	CR
		Textured Bronze	TB
		Gloss White	WH

TECHNICAL SPECS

Fan Weight	10.5 lbs
Blade Material	Metal / ABS
Voltage	110 or 220
Motor Type	AC
Oscillation	Yes
Fan Diameter	13 inches / 33 cm
Fan Height	13 inches / 33 cm
Fan Projection	17.5 inches / 44 cm
Ceiling Mount Overall Drop	17.5 inches / 44 cm
Recommended Mounting Height	Approximately 24 inches / 61 cm from ceiling
Fan Guard	Safety Cage
Blade Pitch	31°
Environment	Damp locations for all finishes Neither coastal, saltwater nor chlorine compatible
Ambience	Soothing White Noise
Safety Certification	ETL / CETL
Warranty	Limited Lifetime

NEW JAN 21, 2020 DOE MOTOR EFFICIENCY DATA

RPM (Low / High)	1213 / 1445
CFM (Low / High)	868 / 1303
Watts (High)	47.68
CFM/Watt (High)	29
Blade Pitch	31°

STANDARD EQUIPMENT

Safety cage

Side-mounted wall junction box

ACCESSORY

White Decora-style, 3-speed wall control



Black 3-speed RF remote control



Note:

- 1) A three-wire system is needed to operate the oscillation mechanism independent of the fan blades.
- 2) The remote control receiver will not fit behind the wall canopy. A clever electrician will need to hide the receiver in wall or ceiling according to code.



shown in Textured Bronze



Laura

Designed in 2017



shown in Matte Black



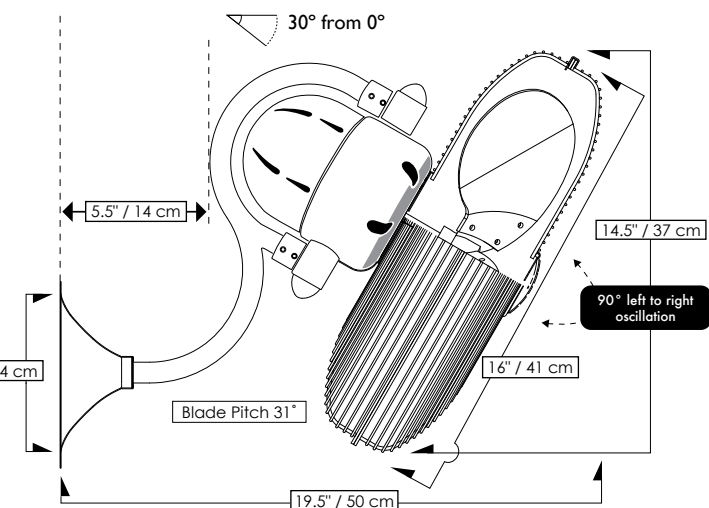
shown in Brushed Nickel

LAURA		
FINISH AND BLADE OPTIONS		
SKU#	LL-XX (Model+Finish)	
NEW	Finishes	Brushed Nickel
		Matte Black
		Textured Bronze
		BN BK TB
TECHNICAL SPECS		
Fan Weight	12 lbs	
Blade Material	Metal / ABS	
Voltage	110 - 240	
Motor Type	DC	
Oscillation	Yes	
Fan Diameter	16 inches / 41 cm	
Fan Height	14.5 inches / 37 cm	
Fan Projection	19.5 inches / 50 cm	
Recommended Mounting Height	Approximately 24 inches / 61 cm from ceiling	
Fan Guard	Safety Cage	
Environment	Damp locations for all finishes Neither coastal, saltwater nor chlorine compatible	
Ambience	Soothing White Noise	
Safety Certification	UL / CUL	
Warranty	Limited Lifetime	
NEW JAN 21, 2020 DOE MOTOR EFFICIENCY DATA		
RPM (Low / High)	1231 / 1520	
CFM (Low / High)	1056 / 1600	
Watts (High)	28.1	
CFM/Watt (High)	56.94	
Blade Pitch	31°	
STANDARD EQUIPMENT		
Safety cage		
Side-mounted wall junction box		
Black 3-speed RF remote control		
<p>Note:</p> <p>1) Two-wire system required to operate the oscillation mechanism independent of the fan blades. Three-wire system not needed.</p> <p>2) Receiver already hidden in motor canopy.</p>		

The Laura 3-speed, left-to-right 90 degree oscillating wall fan offers the best in function. Its patented design boasts a whisper-quiet DC motor, remote control operation and easy 2-wire installation. Compact and powerful, Laura can be mounted in small, awkward spaces or in front of HVAC ducts to improve the efficiency of heating, ventilation or air conditioning. Constructed of cast aluminum and heavy stamped steel, Laura carries a limited lifetime warranty.

Product Features

- 
 American Labor
- 
 110-240V DC Motor
- 
 90° Oscillation
- 
 Safety Cage Equipped
- 
 Damp Location
- 
 Soothing White Noise
- 
 Remote Control
- 
 Unipack Shipping



shown in Textured Bronze with Walnut blades



shown in Matte Black with Matte Black blades



shown in Textured Bronze with Walnut blades



shown in Matte White with Matte White blades



shown in Matte White with Barn Wood blades



Lindsay

Designed in 2019



The Lindsay ceiling fan offers a simple, yet refined air flow solution to any space. The two elegant, solid wood blades quietly circulate air as they revolve around an understated central motor housing. Integrated into the design is an eco-friendly, dimmable LED light kit which will provide illumination for decades to come. The Lindsay is available in matte black, matte white and textured bronze finishes. Blade finish options are barn wood, matte black, matte white or walnut. Constructed of cast aluminum and heavy stamped steel, Lindsay carries a limited lifetime warranty.

Product Features



DC Motor



Damp Location



Silent



LED Lamp



Dimmable Lamp



Remote Control



Wall Control



Unipack Shipping

LINDSAY

FINISH AND BLADE OPTIONS

SKU#	LW-XXX-XXX (Model+Finish+Blade)	
Standard Finishes	Matte Black Matte White Textured Bronze	BK MWH TB
Blade Finish	Barn Wood Matte Black Matte White Walnut	BW BK MWH WN

TECHNICAL SPECS

Fan Diameter	52 inches / 132 cm
Blade Material	CNC Cut Solid Wood
Overall Drop	12 inches / 30 cm
Fan Weight	11 lbs
Voltage	110 (Please contact us for 220V)
Motor Type	DC
Environment	Damp locations for all finishes Neither coastal, saltwater nor chlorine compatible
Ambience	Silent
Safety Certification	ETL / CETL
Warranty	Limited Lifetime

NEW JAN 21, 2020 DOE MOTOR EFFICIENCY DATA

RPM (Low / High)	51 / 220
CFM (Low / High)	1097 / 4955
Watts (High)	29.61
CFM/Watt (High)	166
Blade Pitch	45°

LIGHT KIT PHOTOMETRICS

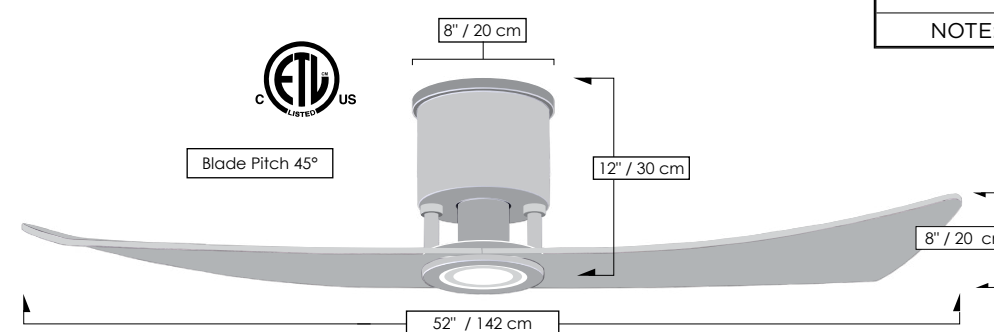
Lamping (Replaceable)	Integrated LED
Remote Dimmable	Yes
Delivered Temperature in K	2940
Delivered Lumens	557
CRI	93.7
Watts	17
Hours	37,000

Light kit longevity if used 6 Hours/Day: 16.9 Years

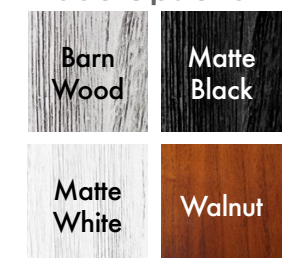
STANDARD EQUIPMENT

Black 6-speed RF remote control with reverse	White wireless Decora-style, 6-speed, wall control
--	--

NOTE: Only compatible with included controllers.



Blade Options





shown in Matte Black



Melody

Designed in 2008

The oscillating Melody, 3-speed wall-mounted fan, designed in the Art Nouveau style with a grand, arching gooseneck, provides maximum multi-directional airflow with its 90° left to right sweep. Melody can be mounted in small, awkward spaces or in front of HVAC ducts to improve the efficiency of the heating, ventilation or air conditioning of any space. Constructed of cast aluminum and heavy stamped steel, the Melody carries a limited lifetime warranty.

Product Features



American Labor



AC Motor



90° Oscillation



Safety Cage Equipped



Damp Location



Soothing White Noise



Wall Control



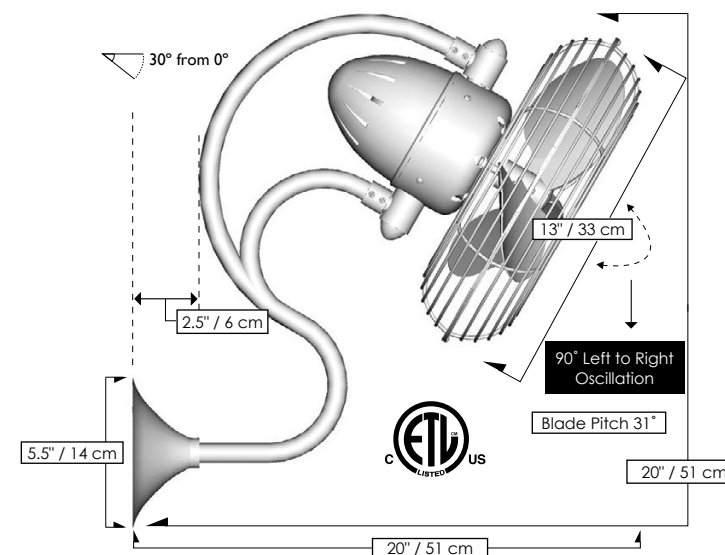
Unipack Shipping



shown in Matte Black



shown in Textured Bronze



MELODY

FINISH AND BLADE OPTIONS

SKU#	ME-XX (Model+Finish)	
NEW	Finishes	Matte Black Textured Bronze
		BK TB

TECHNICAL SPECS

Fan Weight	14 lbs
Blade Material	Metal / ABS
Voltage	110 or 220
Motor Type	AC
Oscillation	Yes
Fan Diameter	13 inches / 33 cm
Fan Height	20 inches / 51 cm
Fan Projection	20 inches / 51 cm
Recommended Mounting Height	Approximately 24 inches / 61 cm from ceiling
Fan Guard	Safety Cage
Environment	Damp locations for all finishes Neither coastal, saltwater nor chlorine compatible
Ambience	Soothing White Noise
Safety Certification	ETL / CETL
Warranty	Limited Lifetime

NEW JAN 21, 2020 DOE MOTOR EFFICIENCY DATA

RPM (Low / High)	1213 / 1495
CFM (Low / High)	868 / 1303
Watts (High)	47.68
CFM/Watt (High)	27.32
Blade Pitch	31°

STANDARD EQUIPMENT

Safety cage

Side-mounted wall junction box

ACCESSORY

Decora-style, 3-speed wall control in white



Black 3-speed RF remote control



Note:

- 1) A three-wire system is needed to operate the oscillation mechanism independent of the fan blades.
- 2) The remote control receiver will not fit behind the wall canopy. A clever electrician will need to hide the receiver in wall or ceiling according to code.



shown in Matte Black



Molly

Designed in 2018

Designed by Chicago architect Stephen Katz in 2018, the Molly ceiling fan combines modern organic geometry with outstanding performance and function. The blade shape was developed using advanced computer software which allowed the design to achieve a complex form. The result is a clean, natural and contemporary look perfect for any room or décor. Available in gloss white or matte black finish, Molly will complement a variety of design styles while also providing a fresh and unique, modern statement. Constructed of cast aluminum and heavy stamped steel, the Molly carries a limited lifetime warranty.

Product Features



DC Motor



Damp Location



Silent



Remote Control



Wall Control



Unipack Shipping



shown in Gloss White

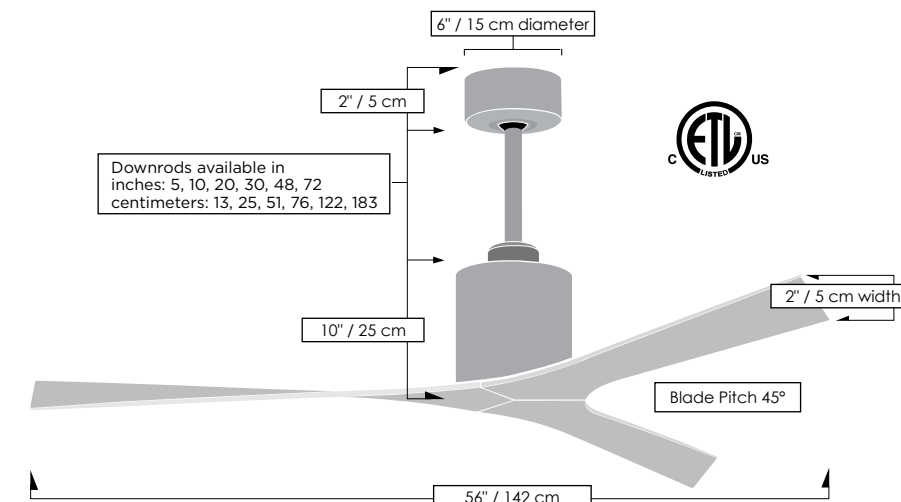
Blade Options

Matte Black

Gloss White



shown in Matte Black



Downrods available in inches: 5, 10, 20, 30, 48, 72 centimeters: 13, 25, 51, 76, 122, 183



MOLLY

FINISH AND BLADE OPTIONS

SKU#	MK-XX (Model+Finish)	
Standard Finishes	Gloss White	WH BK

TECHNICAL SPECS

Fan Diameter	56 inches / 142 cm
Blade Material	ABS
Overall Drop	12 inches / 30 cm + downrod length
Fan Weight	17 lbs
Voltage	110 (Please contact us for 220V)
Motor Type	DC
Downrods Lengths <i>Field cuttable, non-threaded</i>	inches: 5, 10, 20, 30, 48, 72 centimeters: 13, 25, 51, 76, 122, 183
Downrod Diameter	1 inch
Environment	Wet locations for all finishes All weather blade system. Neither coastal, saltwater nor chlorine compatible
Ambience	Silent
Safety Certification	ETL / CETL
Warranty	Limited Lifetime

NEW JAN 21, 2020 DOE MOTOR EFFICIENCY DATA

RPM (Low / High)	49 / 116
CFM (Low / High)	1556 / 3530
Watts (High)	29.96
CFM/Watt (High)	126
Blade Pitch	45°

STANDARD EQUIPMENT

- One downrod of 10 inches / 25 cm
- Vaulted ceiling canopy for up to 30°

Black 6-speed RF remote control with reverse



White wireless Decora-style, 6-speed, wall control



NOTE: Only compatible with included controllers.

shown in Matte Black with 52" Barn Wood blades



shown in Matte Black with 52" Matte Black blades



shown in Matte White with 42" Matte White blades



shown in Textured Bronze with 60" Walnut blades



Blade Options



shown in Brushed Brass with 52" Barn Wood blades



Mollywood

Designed in 2018



Designed by Chicago architect Stephen Katz in 2018, the Mollywood ceiling fan combines modern organic geometry with outstanding performance and function. The blade shape was developed using advanced computer software which allowed the design to achieve a complex form. The result is a clean, natural and contemporary look perfect for any room or décor. Available in matte black, matte white, or textured bronze finishes with either barn wood, matte black, matte white or walnut tone solid wood blade options. Mollywood will complement a variety of design styles while also providing a fresh and unique, modern statement. Constructed of cast aluminum and heavy stamped steel, Mollywood carries a limited lifetime warranty.

Product Features

- DC Motor
- Damp Location
- Silent
- Remote Control
- Wall Control

MOLLYWOOD

FINISH AND BLADE OPTIONS

SKU#	MW-XXX-XXX-XX (Model+Finish+Blade+Diameter)	
Standard Finishes	Brushed Brass	BRBR
	Matte Black	BK
	Matte White	MWH
	Textured Bronze	TB
Blade Finish	Barn Wood	BW
	Matte Black	BK
	Matte White	MWH
	Walnut	WA
Fan Diameter	42 inches / 107 cm	42
	52 inches / 132 cm	52
	60 inches / 152 cm	60

TECHNICAL SPECS

Fan Diameter	inches: 42, 52 or 60 centimeters: 107, 132 or 152
Blade Material	CNC Cut Solid Wood
Overall Drop	12 inches / 30 cm + downrod length
Fan Weight	18 lbs
Downrods Lengths <i>Field cuttable. Non-threaded</i>	inches: 5, 10, 20, 30, 48, 72 centimeters: 13, 25, 51, 76, 122, 183
Downrod Diameter	1 inch
Voltage	110 (Contact us for 220 conversion)
Motor Type	DC
Environment	Damp locations for all finishes Neither coastal, saltwater nor chlorine compatible
Ambience	Silent
Safety Certification	ETL / CETL
Warranty	Limited Lifetime

NEW JAN 21, 2020 DOE MOTOR EFFICIENCY DATA

Fan Diameter	42 inch / 107 cm	52 inch / 132 cm	60 inch / 152 cm
RPM (Low/High)	51 / 186	51 / 129	52 / 103
CFM (Low/High)	524 / 2655	997 / 2437	658 / 2914
Watts (High)	31.68	31.60	34.35
CFM/Watt (High)	84	88	83
Blade Pitch	45°	45°	45°

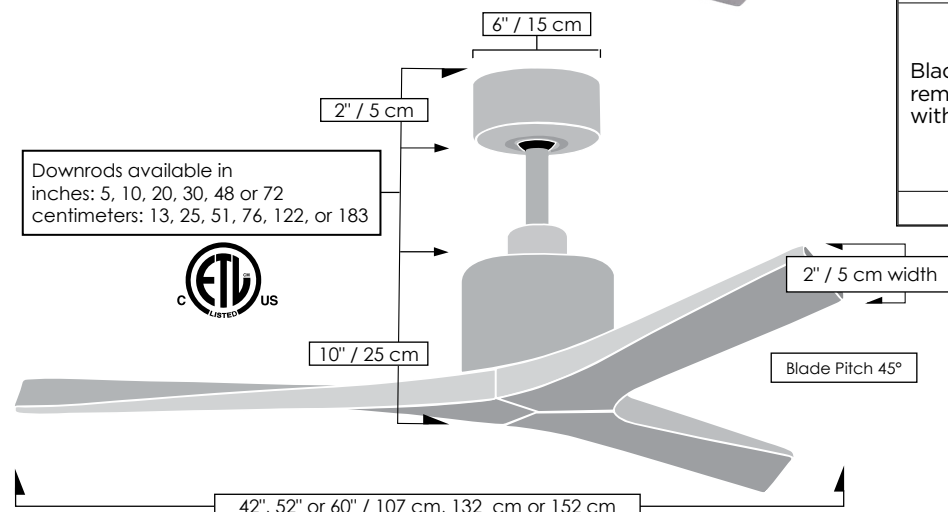
STANDARD EQUIPMENT

- One downrod of 10 inches / 25 cm
- Vaulted ceiling canopy for up to 30°
- Light cover

Black 6-speed RF remote control with reverse

White wireless Decora-style, 6-speed, wall control

NOTE: Only compatible with included controllers.



Downrods available in inches: 5, 10, 20, 30, 48 or 72 centimeters: 13, 25, 51, 76, 122, or 183





Nan

Designed in 2021

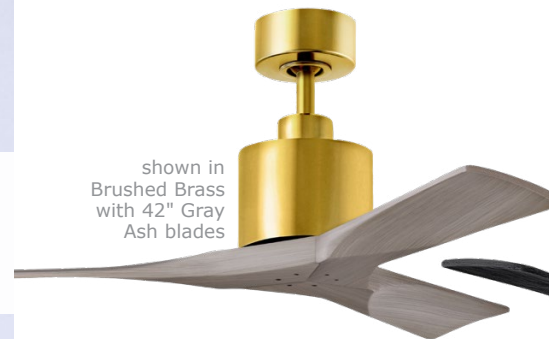
shown in Matte White with 52" Walnut blades



shown in Textured Bronze with 52" Walnut blades



shown in Brushed Brass with 42" Gray Ash blades



shown in Matte Black with 42" Matte Black blades



shown in Textured Bronze with 52" Light Maple blades



shown in Brushed Brass with 42" Matte Black blades



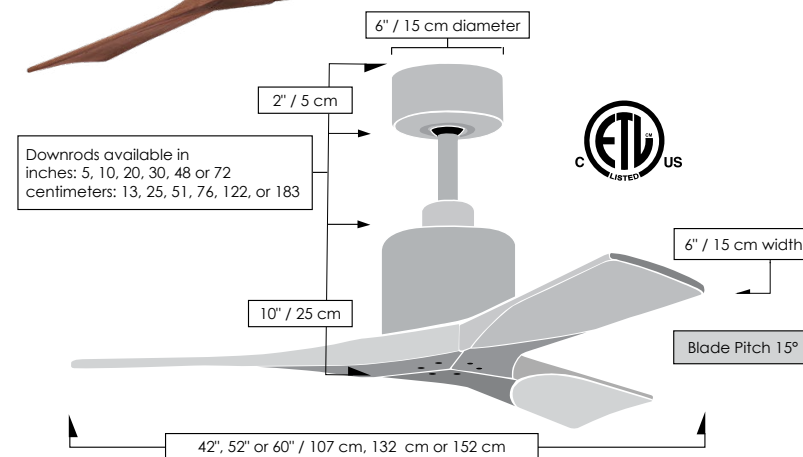
shown in Matte White with 42" Matte White blades



shown in Matte White with 52" Barn Wood blades



shown in Matte Black with 60" Walnut blades



Designed by Chicago architect Stephen Katz, the Nan ceiling fan is a contemporary take on traditional fan design with superior performance and functionality. The Nan fan feels at home in any room or setting from casual to formal and everything in between. This timeless ceiling fan works in residential environments, restaurants, hospitality or even office settings. The Nan fan has the perfect amount of design presence for any size room or season. The fully adjustable fan motor speeds makes moving the right amount of air simple and easy. The Nan fan will feel like a natural part of the room and enhance any space with a fresh breeze. Also available is the larger Nan XL for larger spaces.

Product Features



DC Motor



Damp Location



Silent



Remote Control



Wall Control

NAN

FINISH AND BLADE OPTIONS

SKU#	NK-XXX-XXX-XX (Model+Finish+Blade+Diameter)	
Standard Finishes	Brushed Brass Matte Black Matte White Textured Bronze	BRBR BK MWH TB
Blade Finish	Barn Wood Gray Ash Light Maple Matte Black Matte White Walnut	BW GA LM BK MWH WA
Fan Diameter	42 inches / 107 cm 52 inches / 132 cm 60 inches / 152 cm	42 52 60

TECHNICAL SPECS

Fan Diameter	inches: 42, 52 or 60 centimeters: 107, 132 or 152
Blade Material	CNC Cut Solid Wood
Overall Drop	12 inches / 30 cm + downrod length
Fan Weight	18 lbs
Downrods Lengths <i>Field cuttable. Non-threaded</i>	inches: 5, 10, 20, 30, 48, 72 centimeters: 13, 25, 51, 76, 122, 183
Downrod Diameter	1 inch
Voltage	110 (Contact us for 220 conversion)
Motor Type	DC
Environment	Damp locations for all finishes Neither coastal, saltwater nor chlorine compatible
Ambience	Silent
Safety Certification	ETL / CETL
Warranty	Limited Lifetime

NEW JAN 21, 2020 DOE MOTOR EFFICIENCY DATA

Fan Diameter	42 inch / 107 cm	52 inch / 132 cm	60 inch / 152 cm
RPM (Low / High)	53 / 235	51 / 202	51 / 152
CFM (Low / High)	941 / 5101	1692 / 7389	2454 / 8251
Watts (High)	20.37	32.61	32.58
CFM/Watt (High)	213	220	256
Blade Pitch	15°	15°	15°

STANDARD EQUIPMENT

- One downrod of 10 inches / 25 cm
- Vaulted ceiling canopy for up to 30°

Black 6-speed RF remote control with reverse

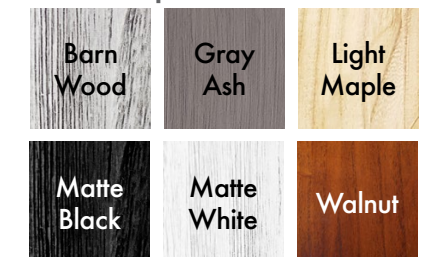


White wireless Decora-style, 6-speed, wall control



NOTE: Only compatible with included controllers.

Blade Options





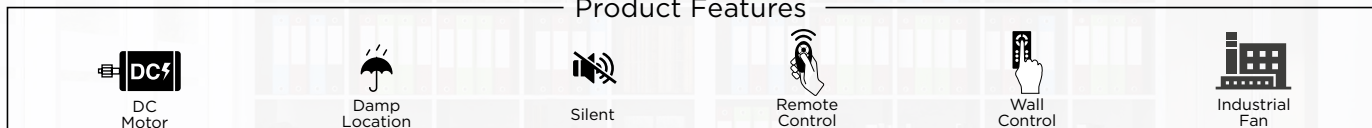
Nan XL

Designed in 2021



Designed by Chicago architect Stephen Katz, the Nan XL ceiling fan is a revolutionary take on ceiling fans, incorporating traditional design with superior performance and functionality to meet the aesthetic needs and challenges of any space. The Nan XL fan feels at home in any setting from casual to commercial and everything in between. This timeless ceiling fan works in residential environments, restaurants, hospitality or even office settings. The Nan XL fan has the perfect amount of design presence for any size room or season. The fully adjustable fan motor speeds makes moving the right amount of air simple and easy. The Nan XL fan will feel like a natural part of the room and enhance any space with a fresh breeze. Also available is the standard Nan fan with smaller diameter options: 42", 52" and 60".

Product Features



NAN XL

FINISH AND BLADE OPTIONS

SKU#	NKXL-XXX-XXX-XX (Model+Finish+Blade+Diameter)	
Standard Finishes	Brushed Brass	BRBR
	Black	BK
	Matte White	MWH
	Textured Bronze	TB
Blade Finish	Barn Wood	BW
	Gray Ash	GA
	Light Maple	LM
	Matte Black	BK
	Matte White	MWH
	Walnut	WA
Fan Diameter	72 inches / 183 cm	72
	90 inches / 229 cm	90

TECHNICAL SPECS

Fan Diameter	inches: 72 or 90 centimeters: 183 or 229
Blade Material	CNC Cut Solid Wood
Overall Drop	12 inches / 30 cm + downrod length
Fan Weight	19 lbs
Downrods Lengths <i>Field cuttable.</i> <i>Non-threaded</i>	inches: 5, 10, 20, 30, 48, 72 centimeters: 13, 25, 51, 76, 122, 183
Downrod Diameter	1 inch
Voltage	110 (Contact us for 220 conversion)
Motor Type	DC
Environment	Damp locations for all finishes Neither coastal, saltwater nor chlorine compatible
Ambience	Silent
Safety Certification	ETL / CETL
Warranty	Limited Lifetime

INDUSTRIAL CEILING FAN ESTIMATED EFFICIENCY DATA

Fan Diameter	72 inch / 183 cm	90 inch / 229 cm
RPM (Low/High)	48 / 86	28 / 143
CFM (Low/High)	3727 / 11,302	4257 / 13,687
Watts (High)	36.08	31.59
CFM/Watt (High)	339	456
Blade Pitch	15°	15°

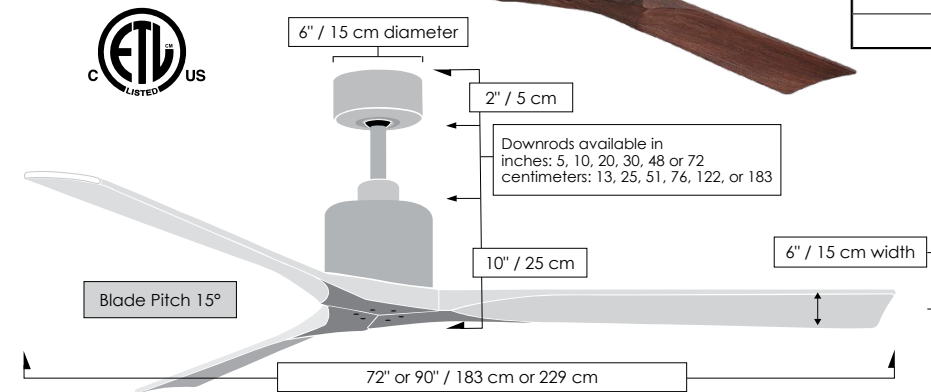
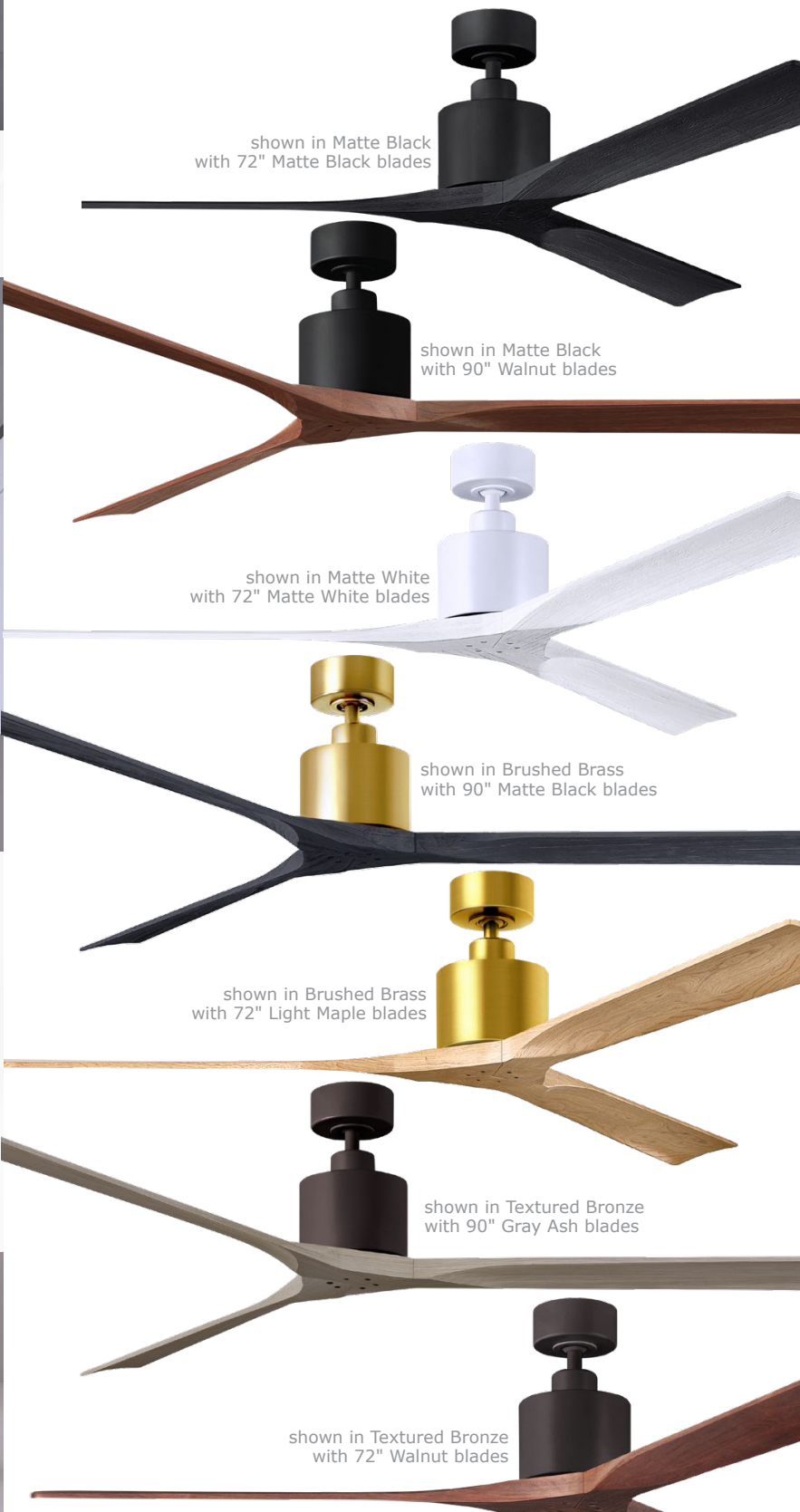
STANDARD EQUIPMENT

One downrod of 10 inches / 25 cm

Vaulted ceiling canopy for up to 30°



NOTE: Only compatible with included controllers.



Blade Options





Patrícia-3

Designed in 2015

shown in Matte Black with 52" Walnut blades



shown in Brushed Brass with 42" Walnut blades



shown in Polished Chrome with 42" Matte Black blades

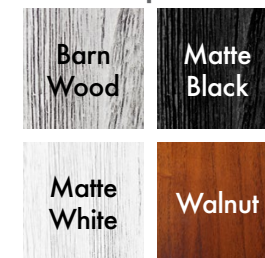


shown in Gloss White with 60" Matte White blades



shown in Textured Bronze with 42" Walnut blades

Blade Options

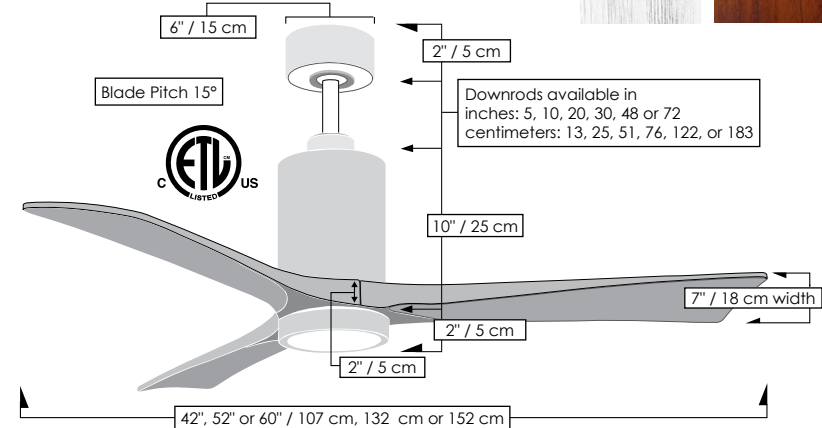


A complement to any commercial or residential space, the Patrícia-3 seamlessly combines innovation with simple, refined design. Its elegant aesthetic belies its robust construction. Solid wood walnut, matte black, matte white, or barn wood tone blades revolve around a balanced, cylindrical DC motor housing. Air is circulated efficiently with barely more than a whisper. An eco-conscious LED light kit completes the package, making Patrícia-3 sophisticated, efficient and green. Constructed of cast aluminum and heavy stamped steel, the Patrícia-3 carries a limited lifetime warranty.

Product Features



PATRÍCIA-3			
FINISH AND BLADE OPTIONS			
SKU#	PA3-XX-XXX-XX (Model+Finish+Blade+Diameter)		
Standard Finishes	Brushed Brass Brushed Nickel Polished Chrome Textured Bronze Gloss White Matte Black	BRBR BN CR TB WH BK	
NEW Blade Finishes	Barn Wood Tone Matte Black Matte White Walnut Tone	BW BK MWH WA	
Fan Diameter	42 inches / 107 cm 52 inches / 132 cm 60 inches / 152 cm	42 52 60	
TECHNICAL SPECS			
Fan Diameter	inches: 42, 52 or 60 centimeters: 107, 132 or 152		
Blade Material	CNC Cut Solid Wood		
Overall Drop	14 inches / 36 cm + downrod length		
Fan Weight	19 lbs		
Downrods Lengths	inches: 5, 10, 20, 30, 48, 72 centimeters: 13, 25, 51, 76, 122, 183 <i>Field cuttable. Non-threaded</i>		
Downrod Diameter	1 inch		
Voltage	110 or 220		
Motor Type	DC		
Environment	Damp locations for all finishes Neither coastal, saltwater nor chlorine compatible		
Ambience	Silent		
Safety Certification	ETL / CETL		
Warranty	Limited Lifetime		
NEW JAN 21, 2020 DOE MOTOR EFFICIENCY DATA			
Fan Diameter	42 inch / 107 cm	52 inch / 132 cm	60 inch / 152 cm
RPM (Low/High)	52 / 232	51 / 219	51 / 156
CFM (Low/High)	860 / 4286	1283 / 6077	2113 / 6833
Watts (High)	16.60	32.03	31.72
CFM/Watt (High)	211	182	219
Blade Pitch	15°	15°	15°
LIGHT KIT PHOTOMETRICS			
Lamping (Replaceable)	Integrated LED		
Remote Dimmable	Yes		
Delivered Temperature in K	3075		
Delivered Lumens	690		
CRI	90		
Watts	16		
Hours	60,000		
Light kit longevity if used 6 Hours/Day: 27.4 Years			
STANDARD EQUIPMENT			
One downrod of 10 inches / 25 cm			
Vaulted ceiling canopy for up to 30°			
Light cover			
Black 6-speed RF remote control with reverse	White wireless Decora-style, 6-speed, wall control		
NOTE: Only compatible with included controllers.			





Patrícia-5

Designed in 2015



shown in Brushed Nickel with 52" Barn Wood blades



shown in Brushed Brass with 42" Matte Black blades



shown in Matte Black with 42" Matte Black blades



shown in Gloss White with 52" Matte White blades

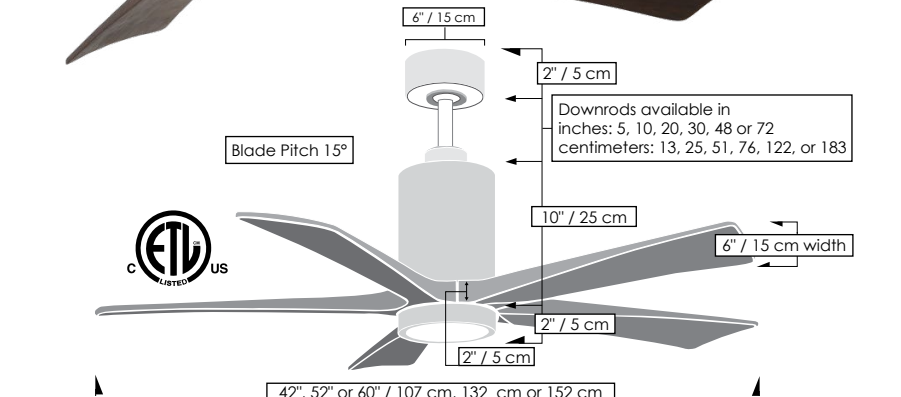


shown in Polished Chrome with 42" Barn Wood blades

Blade Options



shown in Textured Bronze with 60" Walnut blades



PATRÍCIA-5

FINISH AND BLADE OPTIONS

SKU#	PA5-XX-XXX-XX (Model+Finish+Blade+Diameter)	
Standard Finishes	Brushed Brass	BRBR
	Brushed Nickel	BN
	Polished Chrome	CR
	Textured Bronze	TB
	Gloss White	WH
NEW Blade Finishes	Matte Black	BK
	Barn Wood Tone	BW
	Matte White	MWH
	Walnut Tone	WA
Fan Diameter	42 inches / 107 cm	42
	52 inches / 132 cm	52
	60 inches / 152 cm	60

TECHNICAL SPECS

Fan Diameter	inches: 42, 52 or 60 centimeters: 107, 132 or 152
Blade Material	CNC Cut Solid Wood
Overall Drop	14 inches / 36 cm + downrod length
Fan Weight	19 lbs
Downrods Lengths <i>Field cuttable. Non-threaded</i>	inches: 5, 10, 20, 30, 48, 72 centimeters: 13, 25, 51, 76, 122, 183
Downrod Diameter	1 inch
Voltage	110 or 220
Motor Type	DC
Environment	Damp locations for all finishes Neither coastal, saltwater nor chlorine compatible
Ambience	Silent
Safety Certification	ETL / CETL
Warranty	Limited Lifetime

NEW JAN 21, 2020 DOE MOTOR EFFICIENCY DATA

Fan Diameter	42 inch / 107 cm	52 inch / 132 cm	60 inch / 152 cm
RPM (Low/High)	53 / 221	51 / 186	51 / 87
CFM (Low/High)	917 / 4386	1398 / 5524	3247 / 5547
Watts (High)	30.47	31.80	31.64
CFM/Watt (High)	137	170	194
Blade Pitch	15°	15°	15°

LIGHT KIT PHOTOMETRICS

Lamping (Replaceable)	Integrated LED
Remote Dimmable	Yes
Delivered Temperature in K	3075
Delivered Lumens	690
CRI	90
Watts	16
Hours	60,000

Light kit longevity if used 6 Hours/Day: 27.4 Years

STANDARD EQUIPMENT

- One downrod of 10 inches / 25 cm
- Vaulted ceiling canopy for up to 30°

Light cover



NOTE: Only compatible with included controllers.

A complement to any commercial or residential space, the Patrícia-5 seamlessly combines innovation with simple, refined design. Its elegant aesthetic belies its robust construction. Solid wood walnut, matte black, matte white, or barn wood tone blades revolve around a balanced, cylindrical DC motor housing. Air is circulated efficiently with barely more than a whisper. An eco-conscious LED light kit completes the package, making Patrícia-5 sophisticated, efficient and green. Constructed of cast aluminum and heavy stamped steel, the Patrícia-5 carries a limited lifetime warranty.

Product Features





Super Janet

Designed in 2017



shown in Matte Black with 52" Barn Wood blades

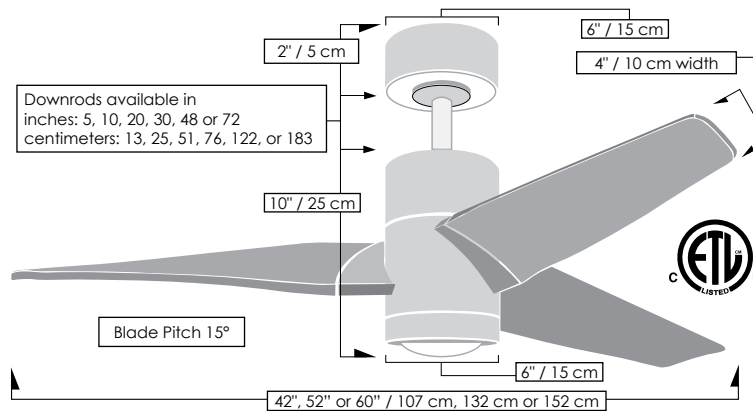


shown in Gloss White with 42" Matte White blades

shown in Brushed Nickel with 52" Walnut blades

shown in Matte Black with 52" Matte Black blades

shown in Textured Bronze with 60" Barn Wood blades



The Super Janet's remarkable design and solid construction in cast aluminum and heavy stamped steel make it the heroine in any commercial or residential space. Moving air with barely a whisper, its efficient DC motor turns solid wood blades in walnut, matte black, matte white, or barn wood tones. An eco-conscious LED light kit with light cover completes the package. Sophisticated, efficient and green, Super Janet carries a limited lifetime warranty.

Product Features



DC Motor



Damp Location



Silent



LED Lamp



Dimmable Lamp



Remote Control



Wall Control



Unipack Shipping*

SUPER JANET

FINISH AND BLADE OPTIONS

SKU#	SJ-XX-XXX-XX (Model+Finish+Blade+Diameter)	
Standard Finishes	Brushed Nickel	BN
	Gloss White	WH
	Matte Black	BK
	Textured Bronze	TB
NEW Blade Finishes	Barn Wood Tone	BW
	Matte Black	BK
	Matte White	MWH
	Walnut Tone	WN
Fan Diameter	42 inches / 107 cm	42
	52 inches / 132 cm	52
	60 inches / 152 cm	60

TECHNICAL SPECS

Fan Diameter	inches: 42, 52 or 60 centimeters: 107, 132 or 152
Blade Material	CNC Cut Solid Wood
Overall Drop	12 inches / 30 cm + downrod length
Fan Weight	17 lbs
Downrods Lengths <i>Field cuttable. Non-threaded</i>	inches: 5, 10, 20, 30, 48, 72 centimeters: 13, 25, 51, 76, 122, 183
Downrod Diameter	1 inch
Voltage	110 (Contact us for 220 conversion)
Motor Type	DC
Environment	Damp locations for all finishes Neither coastal, saltwater nor chlorine compatible
Ambience	Silent
Safety Certification	ETL / CETL
Warranty	Limited Lifetime

NEW JAN 21, 2020 DOE MOTOR EFFICIENCY DATA

Fan Diameter	42 inch / 107 cm*	52 inch / 132 cm*	60 inch / 152 cm
RPM (Low/High)	50 / 242	50 / 184	50 / 150
CFM (Low/High)	915 / 4530	1571 / 5962	2293 / 6495
Watts (High)	23.62	32.99	33.32
CFM/Watt (High)	173	180	205
Blade Pitch	15°	15°	15°

LIGHT KIT PHOTOMETRICS

Lamping (Replaceable)	Integrated LED
Remote Dimmable	Yes
Delivered Temperature in K	2776
Delivered Lumens	419
CRI	94
Watts	18
Hours	50,000

Light kit longevity if used 6 Hours/Day: 22.8 Years

STANDARD EQUIPMENT

- One downrod of 10 inches / 25 cm
- Vaulted ceiling canopy for up to 30"

Black 6-speed RF remote control with reverse



White wireless Decora-style, 6-speed, wall control



NOTE: Only compatible with included controllers.

*Unipack Shipping for 42" and 52" in diameters only.

Blade Options



NEW

T-24

FINISH AND BLADE OPTIONS

SKU#	T24-XXX-XXX (Model+Finish+Blade)	
Standard Finishes	Brushed Nickel Matte Black Matte White Textured Bronze	BN BK MWH TB
Blade Finishes (Reversible)	Matte White / Brushed Nickel Gray Ash / Walnut Light Maple / Barn Wood Old Oak / Matte Black	MWH / BN GA / WA MA / BW OO / BK

TECHNICAL SPECS

Fan Diameter	52 inches / 132 cm
Blade Material	Plywood
Overall Drop	10 inches / 25 cm+downrod length
Fan Weight	22 lbs
Voltage	110 or 220
Motor Type	AC
Downrod Diameter	1 inch
Environment	Damp locations for all finishes Neither coastal, saltwater nor chlorine compatible
Ambience	Silent
Safety Certification	UL / CUL
Warranty	Limited Lifetime

NEW JAN 21, 2020 DOE MOTOR EFFICIENCY DATA

RPM (Low / High)	68 / 169
CFM (Low / High)	1993 / 5185
Watts (High)	61.44
CFM/Watt (High)	93
Blade Pitch	14°

LIGHT KIT PHOTOMETRICS

Lamping (Replaceable)	Integrated LED
Remote Dimmable	Yes
Delivered Temperature in K	2899
Delivered Lumens	631.9
CRI	91.3
Watts	20
Hours	36,000

Light kit longevity if used 6 Hours/Day: 16.4 Years

STANDARD EQUIPMENT

One downrod of 10 inches / 25 cm

Vaulted ceiling canopy for up to 29°

Decora-style, 3-speed, dimmable wall control



ACCESSORY

3-speed RF remote control in black



T-24

Designed in 2019



The T-24 is Matthews' reserved, yet contemporary, 52" three-blade ceiling fan. The efficient 4-speed AC motor and Title 24 qualified LED Light Kit are operated by wall control. The T-24 is offered in Brushed Nickel, Matte White, Matte Black and Textured Bronze with reversible solid wood blades available in Matte White/Brushed Nickel, Gray Ash/Walnut, Old Oak/Matte Black or Light Maple/Barn Wood finishes.

Product Features



Title 24 Compliant



AC Motor



Damp Location



Silent



LED Lamp



Dimmable Lamp



Remote Control



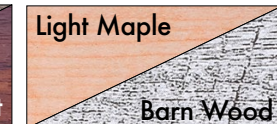
Wall Control



Unipack Shipping



Blade Options (Reversible)



shown in Polished Chrome with wood blades



shown in Polished Copper with wood blades



shown in Black with wood blades



shown in Brushed Nickel with metal blades and decorative cage



shown in Polished Brass with wood blades



Ar Ruthiane

Designed in 2004

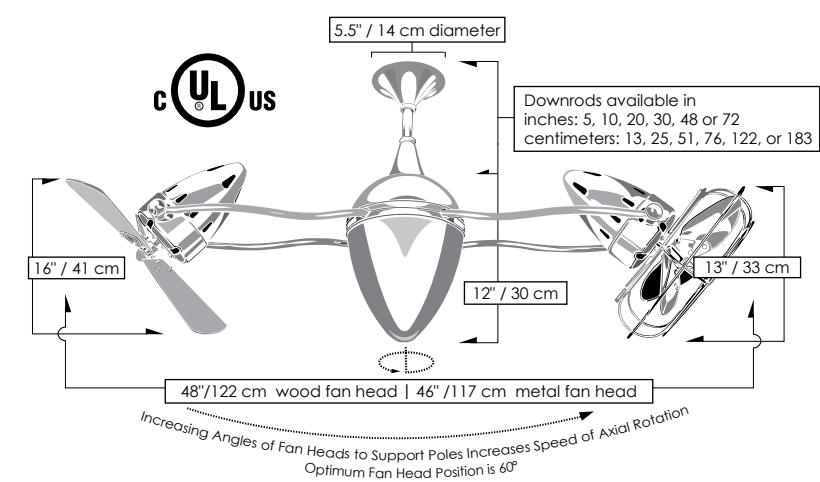


The Ar Ruthiane's unique hourglass support arms grasp bullet-shaped motor housings which rotate 360° about its teardrop center. The fan heads can be infinitely positioned in 180-degree arcs for optimum air movement; the greater the angles of the motors to the horizontal support rods (up or down), the faster the axial rotation. A slow, controlled axial rotation is achieved by both fan head position and fan blade speed. Matthews 360° rotational fans circulate heat and air conditioning more efficiently than traditional paddle fans. Constructed of cast aluminum, heavy spun and stamped steel, the Ar Ruthiane carries a limited lifetime warranty.

Product Features



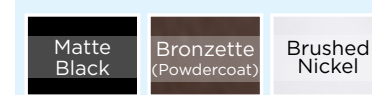
AR RUTHIANE		
FINISH AND BLADE OPTIONS		
SKU#	AR-XXXXXX-XXX (Model+Finish+Blade)	
Standard Finishes	Black Bronzette Brushed Nickel	BK BZZT BN
Special Order Finishes	Brushed Brass Brushed Copper Polished Brass Polished Chrome Polished Copper Polished Chrome Damp Brushed Nickel Damp Gloss White Agua Marinha Ametista Black Nickel Esmeralda Ouro Rubi Safira	BRBR BRCP PB CR CP CRDAMP BNDAMP WH LTBLUE LTPURPLE BKN GREEN GOLD RED BLUE
Fan Blade	Solid Mahogany Wood Blade Metal Blade	WD MTL
TECHNICAL SPECS		
Fan Weight	21 lbs	
Voltage	110 or 220	
Motor Type	AC	
Rotation	Yes	
Downrods Lengths <i>Field cuttable. Non-threaded</i>	inches: 5, 10, 20, 30, 48, 72 centimeters: 13, 25, 51, 76, 122, 183	
Downrod Diameter	.75 inch	
Overall Drop	12 inches / 30 cm + downrod length	
Environment	Damp location with protective powder or clear coat only. Neither coastal, saltwater nor chlorine compatible.	
Ambience	Soothing White Noise	
Safety Certification	UL / CUL	
Warranty	Limited Lifetime	
NEW JAN 21, 2020 DOE MOTOR EFFICIENCY DATA		
Fan Head Options	Solid Mahogany Wood	Metal with Guard
Fan Diameter	48 inches / 122 cm	46 inches / 117 cm
Fan Blade Diameter	16 inches / 41 cm	13 inches / 33 cm
Guard Options	No Cage Option	Decorative Cage or Safety Cage with tight tines
RPM (Low / High)	723 / 1308	591 / 1075
CFM (Low / High)	2644 / 4724	1215 / 2371
Watts (High)	96.94	103.53
CFM/Watt (High)	48.73	22.90
Blade Pitch	19°	31°
STANDARD EQUIPMENT		
One downrod of 10 inches / 25 cm		
Flat ceiling canopy		
Decora-style, 3-speed wall control in white		
OPTIONAL EQUIPMENT		
29° vaulted ceiling mount and canopy		



Special Order Finishes



Standard Finishes



Spinning Bianca Directionals in Polished Chrome with wood blades shown



Bianca Direcional

Designed in 2000



Unique and versatile, the fan head of the Bianca Direcional ceiling fan can be infinitely positioned in a 180-degree arc, forward and reverse, to provide maximum, directional airflow. The Bianca can be hung in small, awkward spaces or in front of HVAC ducts to make more efficient the heating, ventilation or air conditioning of any room. Constructed of cast aluminum, heavy spun and stamped steel, the Bianca Direcional carries a limited lifetime warranty.

Product Features

- American Labor
- Hand Made
- AC Motor
- 180° Adjustable
- Safety Cage Compatible
- Damp Location
- Soothing White Noise
- Wall Control
- Unipack Shipping

shown in Polished Copper with wood blades

shown in Polished Chrome with metal blades

shown in Polished Chrome with metal blades

shown in Polished Brass with metal blades

shown in Black with wood blades

5.5" / 14 cm diameter

Downrods available in inches: 5, 10, 20 or 30 centimeters: 13, 25, 51 or 76

16" / 41 cm

13" / 33 cm

Distance between top of yolk and bottom of blades is as follows:
13" for metal blades
16" for wood blades

Fan head is infinitely adjustable 180° in forward and reverse positions.

Special Order Finishes

- Agua Marinha
- Ametista
- Black Nickel
- Esmeralda
- Ouro
- Rubi
- Safira

- Brushed Brass
- Polished Brass
- Brushed Copper
- Polished Copper
- Polished Chrome
- Polished Chrome Damp
- Brushed Nickel Damp
- Gloss White

BIANCA DIRECIONAL

FINISH AND BLADE OPTIONS

SKU#	BD-XXXXXX-XX (Model+Finish+Blade)	
Standard Finishes	Black Bronzette Brushed Nickel	BK BZZT BN
Special Order	Brushed Brass Brushed Copper Polished Brass Polished Chrome Polished Copper Polished Chrome Damp Brushed Nickel Damp Gloss White Agua Marinha Ametista Black Nickel Esmeralda Ouro Rubi Safira	BRBR BRCP PB CR CP CRDAMP BNDAMP WH LTBLUE LTPURPLE BKN GREEN GOLD RED BLUE
Fan Blade	Solid Mahogany Wood Blade Metal Blade	WD MTL

TECHNICAL SPECS

Fan Weight	7 lbs	
Voltage	110 or 220	
Motor Type	AC	
Oscillation	No	
Downrods Lengths <i>Field cuttable. Non-threaded</i>	inches: 5, 10, 20, 30 centimeters: 13, 25, 51, 76	
Downrod Diameter	.75 inch	
Overall Drop	Metal Blades:	13 inches / 33 cm + downrod length
	Wood Blades:	16 inches / 41 cm + downrod length
Environment	Damp location with protective powder or clear coat only. Neither coastal, saltwater nor chlorine compatible.	
Ambience	Soothing White Noise	
Safety Certification	UL / CUL	
Warranty	Limited Lifetime	

NEW JAN 21, 2020 DOE MOTOR EFFICIENCY DATA

Fan Head Options	Solid Mahogany Wood	Metal with Guard
Fan Diameter	16 inches / 41 cm	13 inches / 33 cm
Fan Blade Diameter	16 inches / 41 cm	13 inches / 33 cm
Guard Options	No Cage Option	Decorative Cage or Safety Cage with tight tines
RPM (Low / High)	926 / 1280	615 / 1149
CFM (Low / High)	1568 / 2274	814 / 1199
Watts (High)	47.46	49.00
CFM/Watt (High)	47.91	24.47
Blade Pitch	19°	31°

STANDARD EQUIPMENT

One downrod of 10 inches / 25 cm	
Flat ceiling canopy (Not compatible with vaulted ceiling canopy)	
Decora-style, 3-speed wall control in white	

Standard Finishes

- Matte Black
- Bronzette (Powdercoat)
- Brushed Nickel

shown in Black with Wood blade



shown in Gloss White with metal blades in safety cage



shown in Polished Copper with wood blades



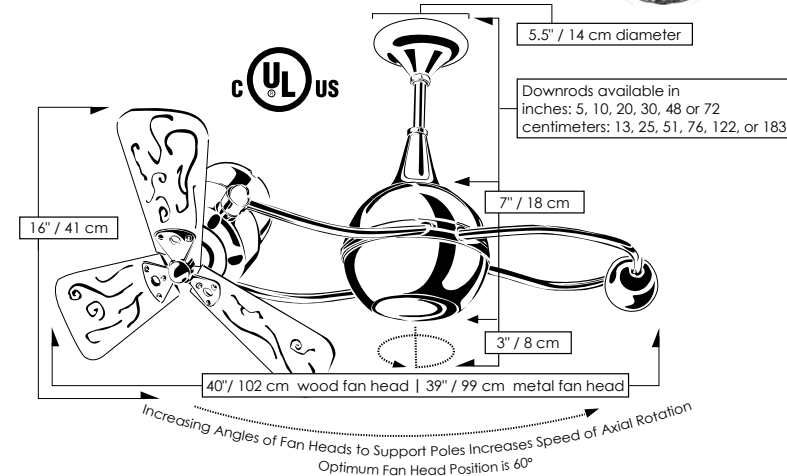
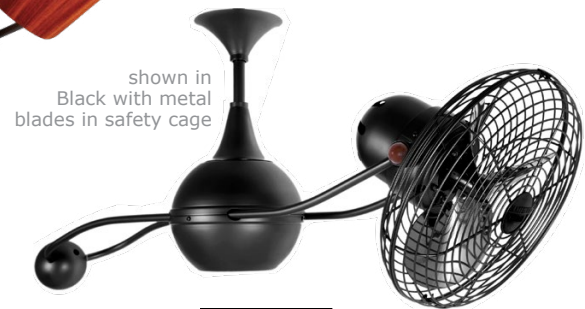
shown in Brushed Nickel with metal blades in safety cage



shown in Bronzette with wood blades



shown in Black with metal blades in safety cage



Brisa 2000

Designed in 2000



Like satellites orbiting a planet, the Brisa's select mahogany blade head and lunar counterweight gently revolve 360° about its spherical gear housing. The fan head can be infinitely positioned in a 180-degree arc for optimum air movement; the greater the angle of the motor to the horizontal support rods (up or down), the faster the axial rotation. A slow, controlled axial rotation is achieved by both fan head position and fan blade speed. Matthews 360° rotational fans circulate heat and air conditioning more efficiently than traditional paddle fans. Constructed of cast aluminum, heavy spun and stamped steel, the Brisa carries a limited lifetime warranty.

Product Features



American Labor



Hand Made



AC Motor



360° Rotation



Safety Cage Compatible



Damp Location



Soothing White Noise



Wall Control



Unipack Shipping*

BRISA 2000

FINISH AND BLADE OPTIONS

SKU#	B2K-XXXXXX-XXX (Model+Finish+Blade)	
Standard Finishes	Black	BK
	Bronzette	BZZT
	Brushed Nickel	BN
Special Order	Brushed Brass	BRBR
	Brushed Copper	BRCP
	Polished Brass	PB
	Polished Chrome	CR
	Polished Copper	CP
	Polished Chrome Damp	CRDAMP
	Brushed Nickel Damp	BNDAMP
	Gloss White	WH
	Agua Marinha	LTBLUE
	Ametista	LTPURPLE
	Black Nickel	BKN
	Esmeralda	GREEN
	Ouro	GOLD
Rubi	RED	
Safira	BLUE	
Fan Blade	Solid Mahogany	WD
	Wood Blade Metal Blade	MTL

TECHNICAL SPECS

Fan Weight	21 lbs
Voltage	110 or 220
Motor Type	AC
Rotation	Yes
Downrods Lengths <i>Field cuttable.</i> <i>Non-threaded</i>	inches: 5, 10, 20, 30, 48, 72 centimeters: 13, 25, 51, 76, 122, 183
Downrod Diameter	.75 inch
Overall Drop	10 inches / 25 cm + downrod length
Environment	Damp location with protective powder or clear coat only. Neither coastal, saltwater nor chlorine compatible.
Ambience	Soothing White Noise
Safety Certification	UL / CUL
Warranty	Limited Lifetime

NEW JAN 21, 2020 DOE MOTOR EFFICIENCY DATA

Fan Head Options	Solid Mahogany Wood*	Metal with Guard
Fan Diameter	40 inches / 102 cm	39 inches / 99 cm
Fan Blade Diameter	16 inches / 41 cm	13 inches / 33 cm
Guard Options	No Cage Option	Decorative Cage or Safety Cage with tight tines
RPM (Low / High)	866 / 1336	790 / 1205
CFM (Low / High)	1602 / 2376	790 / 1265
Watts (High)	52.44	55.15
CFM/Watt (High)	45.31	22.94
Blade Pitch	19°	31°

STANDARD EQUIPMENT

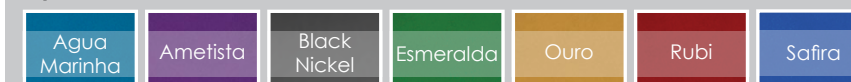
- One downrod of 10 inches / 25 cm
- Flat ceiling canopy
- Decora-style, 3-speed wall control in white

OPTIONAL EQUIPMENT

- 29° vaulted ceiling mount and canopy

NOTE: *Unipack Shipping for Wood Blades only

Special Order Finishes



Standard Finishes





Bruna Parede

Designed in 2007

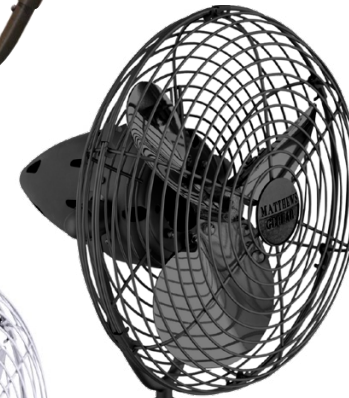
shown in Brushed Nickel



shown in Bronzette



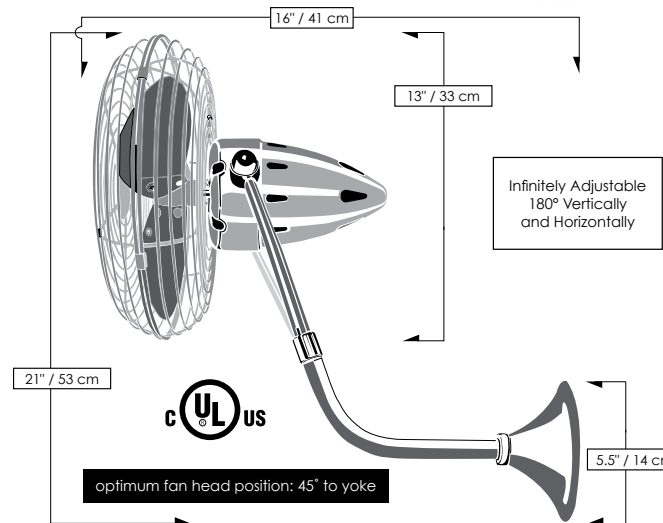
shown in Black



shown in Gloss White



shown in Polished Brass



The Bruna Parede is reminiscent of the wall fans of the early 20th century. The fan head of the Bruna Parede wall mounted fan can be infinitely positioned vertically and horizontally across 180-degree arcs to provide maximum directional airflow. It can be mounted in small, awkward spaces or in front of HVAC ducts to make more efficient the heating, ventilation or air conditioning of any space. Constructed of cast aluminum, heavy spun and stamped steel, the Bruna Parede carries a limited lifetime warranty.

Product Features

- American Labor
- Hand Made
- AC Motor
- 180° Adjustable
- Safety Cage Compatible
- Damp Location
- Soothing White Noise
- Wall Control
- Unipack Shipping

BRUNA PAREDE

FINISH AND BLADE OPTIONS

SKU#	BP-XXXXXX (Model+Finish)	
Standard Finishes	Black	BK
	Bronzette	BZZT
	Brushed Nickel	BN
Special Order	Brushed Brass	BRBR
	Brushed Copper	BRCP
	Polished Brass	PB
	Polished Chrome	CR
	Polished Copper	CP
	Polished Chrome Damp	CRDAMP
	Brushed Nickel Damp	BNDAMP
	Gloss White	WH
	Agua Marinha	LTBLUE
	Ametista	LTPURPLE
	Black Nickel	BKN
	Esmeralda	GREEN
	Ouro	GOLD
Rubi	RED	
Safira	BLUE	

TECHNICAL SPECS

Fan Weight	8 lbs
Blade Material	Metal
Voltage	110 or 220
Motor Type	AC
Oscillation	No
Fan Diameter	13 inches / 33 cm
Fan Height	21 inches / 51 cm
Fan Projection	16 inches / 41 cm
Recommended Mounting Height	Approximately 24 inches / 61 cm from ceiling
Fan Guard	Safety Cage
Environment	Damp location with powder or clear coat only. Neither coastal, saltwater nor chlorine compatible.
Ambience	Soothing White Noise
Safety Certification	UL / CUL
Warranty	Limited Lifetime

NEW JAN 21, 2020 DOE MOTOR EFFICIENCY DATA

RPM (Low / High)	1021 / 1418
CFM (Low / High)	839 / 1181
Watts (High)	49.00
CFM/Watt (High)	24.01
Blade Pitch	31°

STANDARD EQUIPMENT

Safety cage	
Side-mounted wall junction box	
Decora-style, 3-speed wall control in white	

Special Order Finishes

- Agua Marinha
- Ametista
- Black Nickel
- Esmeralda
- Ouro
- Rubi
- Safira

- Brushed Brass
- Polished Brass
- Brushed Copper
- Polished Copper
- Polished Chrome
- Polished Chrome Damp
- Brushed Nickel Damp
- Gloss White

Standard Finishes

- Matte Black
- Bronzette (Powdercoat)
- Brushed Nickel

shown in Polished Chrome with metal blades and decorative cage



shown in Black with metal blades in decorative cage



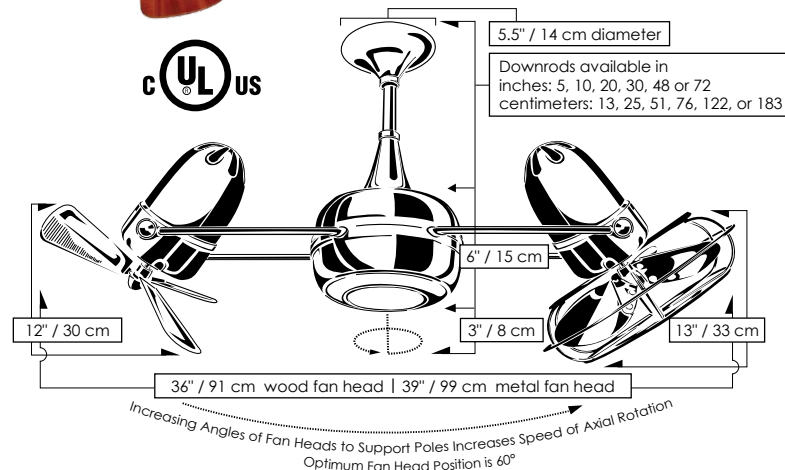
shown in Brushed Nickel with metal blades in decorative cage



shown in Polished Brass with wood blades



shown in Polished Copper with wood blades



DUPLO-DINAMICO

FINISH AND BLADE OPTIONS

SKU#	DD-XXXXXX-XXX (Model+Finish+Blade)	
Standard Finishes	Black	BK
	Bronzette	BZZT
	Brushed Nickel	BN
Special Order	Brushed Brass	BRBR
	Brushed Copper	BRCP
	Polished Brass	PB
	Polished Chrome	CR
	Polished Copper	CP
	Polished Chrome Damp	CRDAMP
	Brushed Nickel Damp	BNDAMP
	Gloss White	WH
	Agua Marinha	LTBLUE
	Ametista	LTPURPLE
	Black Nickel	BKN
	Esmeralda	GREEN
	Ouro	GOLD
	Rubi	RED
Safira	BLUE	
Fan Blade	Solid Mahogany	WD
	Wood Blade	
	Metal Blade	MTL

TECHNICAL SPECS

Fan Weight	21 lbs
Voltage	110 or 220
Motor Type	AC
Rotation	Yes
Downrods Lengths <i>Field cuttable.</i> <i>Non-threaded</i>	inches: 5, 10, 20, 30, 48, 72 centimeters: 13, 25, 51, 76, 122, 183
Downrod Diameter	.75 inch
Overall Drop	9 inches / 23 cm + downrod length
Environment	Damp location with protective powder or clear coat only. Neither coastal, saltwater nor chlorine compatible.
Ambience	Soothing White Noise
Safety Certification	UL / CUL
Warranty	Limited Lifetime

NEW JAN 21, 2020 DOE MOTOR EFFICIENCY DATA

Fan Head Options	Solid Mahogany Wood*	Metal with Guard
Fan Diameter	36 inches / 91 cm	39 inches / 99 cm
Fan Blade Diameter	16 inches / 41 cm	13 inches / 33 cm
Guard Options	No Cage Option	Decorative Cage or Safety Cage with tight tines
RPM (Low / High)	1274 / 1534	598 / 1109
CFM (Low / High)	2673 / 3210	1240 / 2274
Watts (High)	74.06	103.35
CFM/Watt (High)	43.34	22.00
Blade Pitch	19°	31°

STANDARD EQUIPMENT

One downrod of 10 inches / 25 cm	
Flat ceiling canopy	
Decora-style, 3-speed wall control in white	
OPTIONAL EQUIPMENT	
29° vaulted ceiling mount and canopy	

NOTE: *Unipack Shipping for Wood Blades only

Duplo-Dinamico

Designed in 1963



Few designs can match the timeless and sophisticated aesthetic of the Duplo-Dinamico 360° rotational fan. Other manufacturers have tried to reproduce this unique design, though all have proven to be of lesser quality and durability. The fan heads can be infinitely positioned in 180-degree arcs for optimum air movement; the greater the angles of the motors to the horizontal support rods (up or down), the faster the axial rotation. A slow, controlled axial rotation is achieved by both fan head position and fan blade speed. Matthews 360° rotational fans circulate heat and air conditioning more efficiently than traditional paddle fans. Constructed of cast aluminum, heavy spun and stamped steel, the Duplo carries a limited lifetime warranty.

Product Features



American Labor



Hand Made



AC Motor



360° Rotation



Safety Cage Compatible



Damp Location



Soothing White Noise

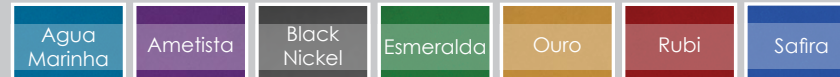


Wall Control



Unipack Shipping*

Special Order Finishes



Standard Finishes



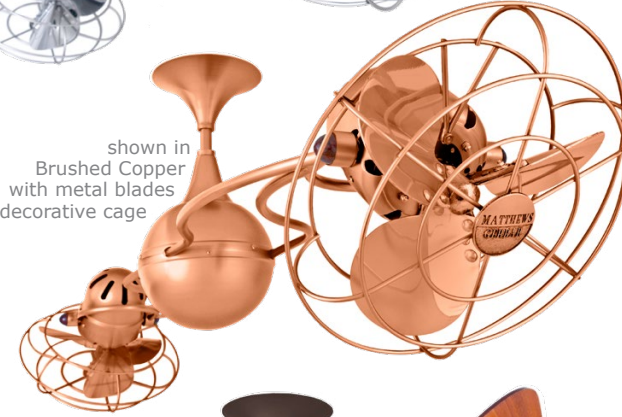
shown in Black with metal blades and decorative cage



shown in Brushed Nickel with metal blades in decorative cages



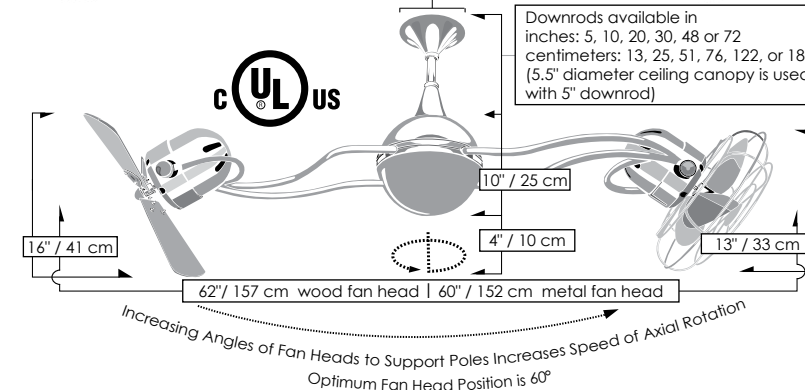
shown in Brushed Copper with metal blades in decorative cage



shown in Bronzette with metal blades in decorative cages



shown in Brushed Nickel with metal blades in decorative cages



ITALO VENTANIA

FINISH AND BLADE OPTIONS

SKU#	IV-XXXXXX-XXX (Model+Finish+Blade)	
Standard Finishes	Black Bronzette Brushed Nickel	BK BZZT BN
Special Order	Brushed Brass Brushed Copper Polished Brass Polished Chrome Polished Copper Polished Chrome Damp Brushed Nickel Damp Gloss White Agua Marinha Ametista Black Nickel Esmeralda Ouro Rubi Safira	BRBR BRCP PB CR CP CRDAMP BNDAMP WH LTBLUE LTPURPLE BKN GREEN GOLD RED BLUE
Fan Blade	Solid Mahogany Wood Blade Metal Blade	WD MTL

TECHNICAL SPECS

Fan Weight	24 lbs
Voltage	110 or 220
Motor Type	AC
Rotation	Yes
Downrods Lengths Field cuttable. Non-threaded	inches: 5, 10, 20, 30, 48, 72 centimeters: 13, 25, 51, 76, 122, 183
Downrod Diameter	.75 inch
Overall Drop	14 inches / 36 cm + downrod length
Environment	Damp location with protective powder or clear coat only. Neither coastal, saltwater nor chlorine compatible.
Ambience	Soothing White Noise
Safety Certification	UL / CUL
Warranty	Limited Lifetime

NEW JAN 21, 2020 DOE MOTOR EFFICIENCY DATA

Fan Head Options	Solid Mahogany Wood	Metal with Guard
Fan Diameter	62 inches / 157 cm	60 inches / 152 cm
Fan Blade Diameter	16 inches / 41 cm	13 inches / 33 cm
Guard Options	No Cage Option	Decorative Cage or Safety Cage with tight tines
RPM (Low / High)	715 / 1209	685 / 1139
CFM (Low / High)	2644 / 4519	1372 / 2278
Watts (High)	91.63	94.76
CFM/Watt (High)	49.32	24.04
Blade Pitch	19°	31°

STANDARD EQUIPMENT

One downrod of 10 inches / 25 cm	
Flat ceiling canopy	
Decora-style, 3-speed wall control in white	
OPTIONAL EQUIPMENT	
29° vaulted ceiling mount and canopy	

Italo Ventania

Designed in 2007

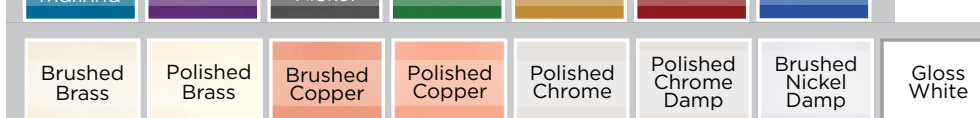


The Italo Ventania is the largest 360° rotational fan in the Matthews Fan Co collection. Its vortex sculpted arms grasp also remarkable, side-mounted fan heads in gentle, equatorial rotation. The fan heads can be infinitely positioned in 180-degree arcs for optimum air movement; the greater the angle of the motor to the horizontal support rods (up or down), the faster the axial rotation. A slow, controlled axial rotation is achieved by both fan head position and fan blade speed. Matthews 360° rotational fans circulate heat and air conditioning more efficiently than traditional paddle fans. Constructed of cast aluminum, heavy spun and stamped steel, the Ar Ruthiane carries a limited lifetime warranty.

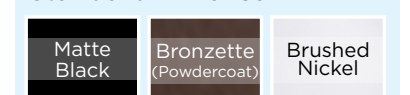
Product Features



Special Order Finishes



Standard Finishes



shown in Polished Copper with metal blades and safety cage

shown in Polished Copper with wood blades

shown in Brushed Nickel with metal blades in decorative cage

shown in Gloss White with wood blades

shown in Polished Brass with Metal blades in safety cage

shown in Black with metal blades in safety cage



Jarold Direcional

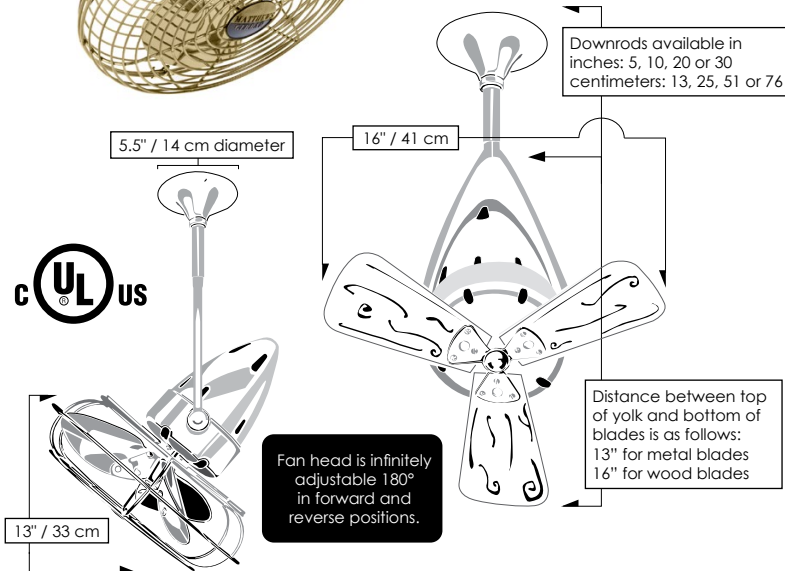
Designed in 2007



Unique and versatile, the fan head of the Jarold Direcional ceiling fan can be infinitely positioned in a 180-degree arc, forward and reverse, to provide maximum, directional airflow. The Jarold can be hung in small, awkward spaces or in front of HVAC ducts to make more efficient the heating, ventilation or air conditioning of any room. Constructed of cast aluminum, heavy spun and stamped steel, the Jarold Direcional carries a limited lifetime warranty.

Product Features

- American Labor
- Hand Made
- AC Motor
- 180° Adjustable
- Safety Cage Compatible
- Damp Location
- Soothing White Noise
- Wall Control
- Unipack Shipping



Special Order Finishes

Agua Marinha	Ametista	Black Nickel	Esmeralda	Ouro	Rubi	Safira
Brushed Brass	Polished Brass	Brushed Copper	Polished Copper	Polished Chrome	Polished Chrome Damp	Brushed Nickel Damp
Gloss White						

JAROLD DIRECIONAL

FINISH AND BLADE OPTIONS

SKU#	JD-XXXXXX-XX (Model+Finish+Blade)	
Standard Finishes	Black	BK
	Bronzette	BZZT
Special Order	Brushed Nickel	BN
	Brushed Brass	BRBR
	Brushed Copper	BRCP
	Polished Brass	PB
	Polished Chrome	CR
	Polished Copper	CP
	Polished Chrome Damp	CRDAMP
	Brushed Nickel Damp	BNDAMP
	Gloss White	WH
	Agua Marinha	LTBLUE
	Ametista	LTPURPLE
	Black Nickel	BKN
	Esmeralda	GREEN
	Ouro	GOLD
	Rubi	RED
Safira	BLUE	
Fan Blade	Solid Mahogany	WD
	Wood Blade Metal Blade	MTL

TECHNICAL SPECS

Fan Weight	7 lbs	
Voltage	110 or 220	
Motor Type	AC	
Oscillation	No	
Downrods Lengths <i>Field cuttable. Non-threaded</i>	inches: 5, 10, 20, 30 centimeters: 13, 25, 51, 76	
Downrod Diameter	.75 inch	
Overall Drop	Metal Blades:	13 inches / 33 cm + downrod length
	Wood Blades:	16 inches / 41 cm + downrod length
Environment	Damp location with protective powder or clear coat only. Neither coastal, saltwater nor chlorine compatible.	
Ambience	Soothing White Noise	
Safety Certification	UL / CUL	
Warranty	Limited Lifetime	

NEW JAN 21, 2020 DOE MOTOR EFFICIENCY DATA

Fan Head Options	Solid Mahogany Wood	Metal with Guard
Fan Diameter	16 inches / 41 cm	13 inches / 33 cm
Fan Blade Diameter	16 inches / 41 cm	13 inches / 33 cm
Guard Options	No Cage Option	Decorative Cage or Safety Cage with tight tines
RPM (Low / High)	955 / 1318	615 / 1149
CFM (Low / High)	1701 / 2368	800 / 1162
Watts (High)	46.77	48.39
CFM/Watt (High)	50.63	24.01
Blade Pitch	19°	31°

STANDARD EQUIPMENT

One downrod of 10 inches / 25 cm	
Flat ceiling canopy (Not compatible with vaulted ceiling canopy)	
Decora-style, 3-speed wall control in white	

Standard Finishes

Matte Black	Bronzette (Powdercoat)	Brushed Nickel
-------------	------------------------	----------------



shown in Polished Chrome with metal blades



Michelle Parede

Designed in 2002



The Michelle Parede is reminiscent of wall fans of the early 20th century. The fan head of the Michelle Parede wall mounted fan can be infinitely positioned vertically and horizontally across 180-degree arcs to provide maximum directional airflow. It can be mounted in small, awkward spaces or in front of HVAC ducts to make more efficient the heating, ventilation or air conditioning of any space. Constructed of cast aluminum, heavy spun and stamped steel, the Michelle Parede carries a limited lifetime warranty.

Product Features

- American Labor
- Hand Made
- AC Motor
- 180° Adjustable
- Safety Cage Compatible
- Damp Location
- Soothing White Noise
- Wall Control
- Unipack Shipping



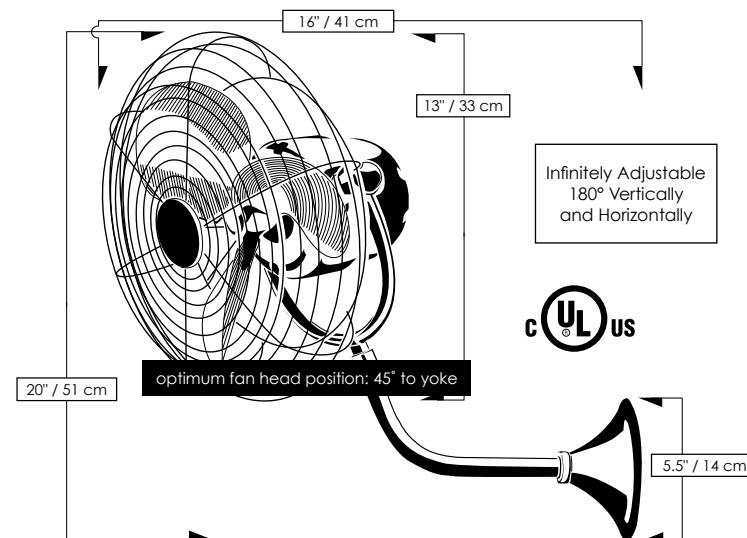
shown in Gloss White

shown in Polished Copper



shown in Black Nickel

shown in Black



Special Order Finishes

- Agua Marinha
- Ametista
- Black Nickel
- Esmeralda
- Ouro
- Rubi
- Safira
- Brushed Brass
- Polished Brass
- Brushed Copper
- Polished Copper
- Polished Chrome
- Polished Chrome Damp
- Brushed Nickel Damp
- Gloss White

Standard Finishes

- Matte Black
- Bronzette (Powdercoat)
- Brushed Nickel

MICHELLE PAREDE

FINISH AND BLADE OPTIONS

SKU#	MP-XXXXXX (Model+Finish)	
Standard Finishes	Black	BK
	Bronzette	BZZT
	Brushed Nickel	BN
Special Order	Brushed Brass	BRBR
	Brushed Copper	BRCP
	Polished Brass	PB
	Polished Chrome	CR
	Polished Copper	CP
	Polished Chrome Damp	CRDAMP
	Brushed Nickel Damp	BNDAMP
	Gloss White	WH
	Agua Marinha	LTBLUE
	Ametista	LTPURPLE
	Black Nickel	BKN
	Esmeralda	GREEN
	Ouro	GOLD
	Rubi	RED
	Safira	BLUE

TECHNICAL SPECS

Fan Weight	8 lbs
Blade Material	Metal
Voltage	110 or 220
Motor Type	AC
Oscillation	No
Fan Diameter	13 inches / 33 cm
Fan Height	20 inches / 51 cm
Fan Projection	16 inches / 41 cm
Recommended Mounting Height	Approximately 24 inches / 61 cm from ceiling
Fan Guard	Safety Cage
Environment	Damp location with powder or clear coat only. Neither coastal, saltwater nor chlorine compatible.
Ambience	Soothing White Noise
Safety Certification	UL / CUL
Warranty	Limited Lifetime

NEW JAN 21, 2020 DOE MOTOR EFFICIENCY DATA

RPM (Low / High)	1020 / 1418
CFM (Low / High)	838 / 1181
Watts (High)	49.00
CFM/Watt (High)	24.01
Blade Pitch	31°

STANDARD EQUIPMENT

Safety cage	
Side-mounted wall junction box	
Decora-style, 3-speed wall control in white	



shown in Bronzette with metal blades and safety cage



shown in Brushed Nickel with wood blades



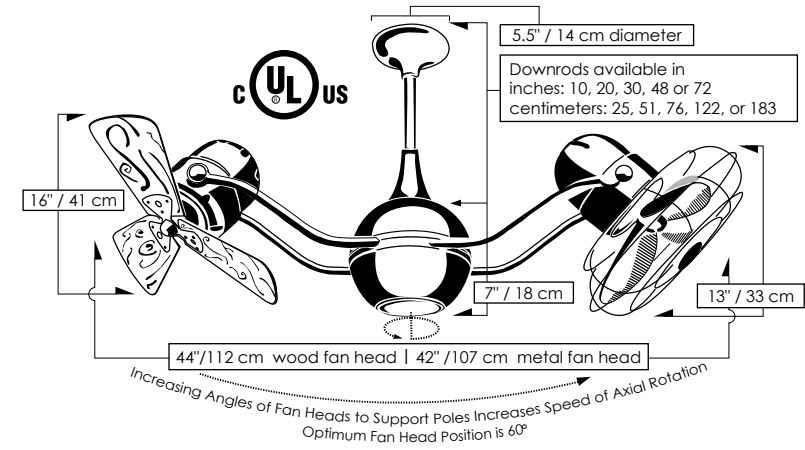
shown in Brushed Brass with metal blades in decorative cage



shown in Polished Chrome with metal blades in decorative cage



shown in Polished Copper with metal blades and decorative cage



Vent-Bettina

Designed in 2002



The Vent-Bettina 360° rotational fan is thoughtfully designed with its arms gently upward curving. The fan offers fluid lines and quiet axial rotation with motor heads which can be infinitely positioned in 180-degree arcs for optimum air movement; the greater the angles of the motors to the horizontal support rods (up or down), the faster the axial rotation. A slow, controlled axial rotation is achieved by both fan head position and fan blade speed. Matthews 360° rotational fans circulate heat and air conditioning more efficiently than traditional paddle fans. Constructed of cast aluminum, heavy spun and stamped steel, the Vent-Bettina carries a limited lifetime warranty.

Product Features

- American Labor
- Hand Made
- AC Motor
- 360° Rotation
- Safety Cage Compatible
- Damp Location
- Soothing White Noise
- Wall Control

VENT-BETTINA

FINISH AND BLADE OPTIONS

SKU#	VB-XXXXXX-XXX (Model+Finish+Blade)	
Standard Finishes	Black	BK
	Bronzette	BZTT
	Brushed Nickel	BN
Special Order	Brushed Brass	BRBR
	Brushed Copper	BRCP
	Polished Brass	PB
	Polished Chrome	CR
	Polished Copper	CP
	Polished Chrome Damp	CRDAMP
	Brushed Nickel Damp	BNDAMP
	Gloss White	WH
	Agua Marinha	LTBLUE
	Ametista	LTPURPLE
	Black Nickel	BKN
	Esmeralda	GREEN
	Ouro	GOLD
	Rubi	RED
Safira	BLUE	
Fan Blade	Solid Mahogany Wood Blade	WD
	Metal Blade	MTL

TECHNICAL SPECS

Fan Weight	19 lbs
Voltage	110 or 220
Motor Type	AC
Rotation	Yes
Downrods Lengths <i>Field cuttable.</i> <i>Non-threaded</i>	inches: 10, 20, 30, 48, 72 centimeters: 25, 51, 76, 122, 183
Downrod Diameter	.75 inch
Overall Drop	7 inches / 18 cm + downrod length
Environment	Damp location with protective powder or clear coat only. Neither coastal, saltwater nor chlorine compatible.
Ambience	Soothing White Noise
Safety Certification	UL / CUL
Warranty	Limited Lifetime

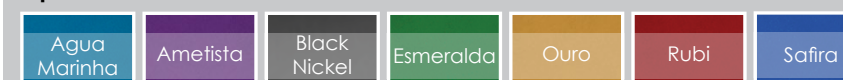
NEW JAN 21, 2020 DOE MOTOR EFFICIENCY DATA

Fan Head Options	Solid Mahogany Wood	Metal with Guard
Fan Diameter	44 inches / 112 cm	42 inches / 107 cm
Fan Blade Diameter	16 inches / 41 cm	13 inches / 33 cm
Guard Options	No Cage Option	Decorative Cage or Safety Cage with tight tines
RPM (Low / High)	796 / 1252	699 / 1101
CFM (Low / High)	2070 / 329	1346 / 2077
Watts (High)	87.32	89.63
CFM/Watt (High)	37.71	23.17
Blade Pitch	19°	31°

STANDARD EQUIPMENT

One downrod of 10 inches / 25 cm	
Flat ceiling canopy	
Decora-style, 3-speed wall control in white	
OPTIONAL EQUIPMENT	
29° vaulted ceiling mount and canopy	

Special Order Finishes



Standard Finishes





Matthews Fan Company's customer service and technical assistance are available Monday through Friday, 7AM to 7PM CST, at (847) 680-9043.

www.MatthewsFanCo.com